

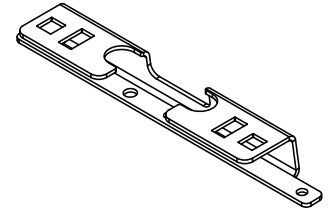


'Tradie Tuff'

COMMERCIAL ROOF RACKS

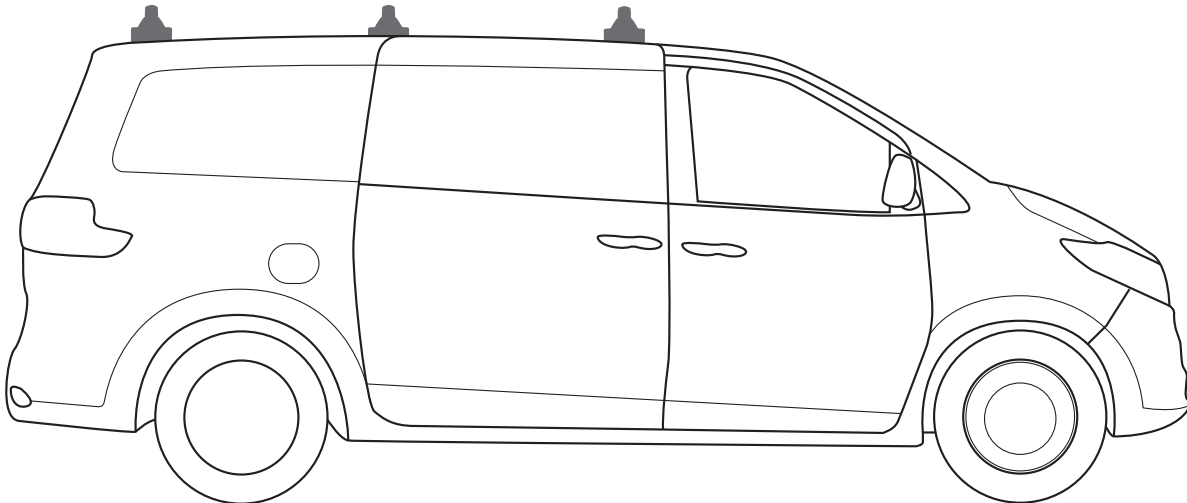
LDV G10 VAN, 01/2015 - ON

FIXED MOUNT



PART NUMBER: VAS.RC1034, VAS.RA1034, VAS.RC1017, VAS.RA1017, VAS.RC1088, VAS.RA1088, VAS.RC1223,

VAS.RA1223.



Note:

- PLEASE READ INSTRUCTIONS AND CHECK CONTENT PRIOR TO INSTALLING.
- PLACE INSTRUCTIONS IN VEHICLES GLOVE COMPARTMENT AFTER INSTALLING.



3 Bar maximum capacity: 100kg

Tested to AS/NZS 1235-200 ADR standards

- Please check your vehicle's manual for vehicle load capacity (please do not exceed the lowest load rating) and please download and read our Load Rating guide which can be found on our website vas.com.au.
- Load rating is based on driving on sealed roads to road conditions and includes weight of roof rack system.

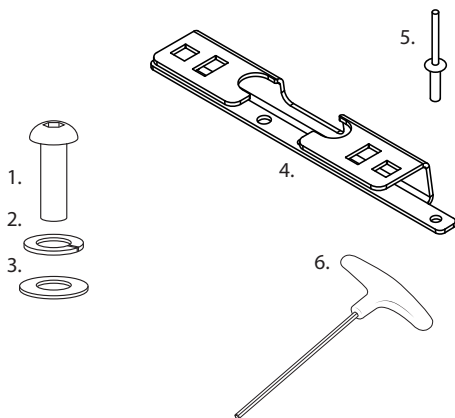
Important information

- Complete maintenance checks weekly including bolt connections and tightness.
- Heavy loads carried near feet
- Overhanging loads should conform to relevant state laws
- Check tie down strap tension every 50klm as loads can shift
- Specialised equipment carriers such as ladder slides should be used
- Ensure your roof racks, ladder rails and or load does not inhibit the tailgate lifting on vehicles manufactured with these doors
- Check car park heights before entering
- Keep load under the maximum capacity
- Use non stretch fastening straps
- Remove roof racks prior to using an automatic car wash

Note: The handling characteristics of a vehicle will change when a carrier system is fitted. Driving technique such as speed reduction, cornering techniques and braking distances should be altered to allow for these changes.

Kit Inclusions

Item	Part	3 Bar
1	M6 x 30mm Button Head Screw - F008	12
2	M6 Spring Washer - F012	12
3	M6 x 16mm Flat Washer - F011	12
4	Common Bracket - C090	6
5	Rivet 4.8mm - F022	18
6	4mm Allen Tool - C028	1

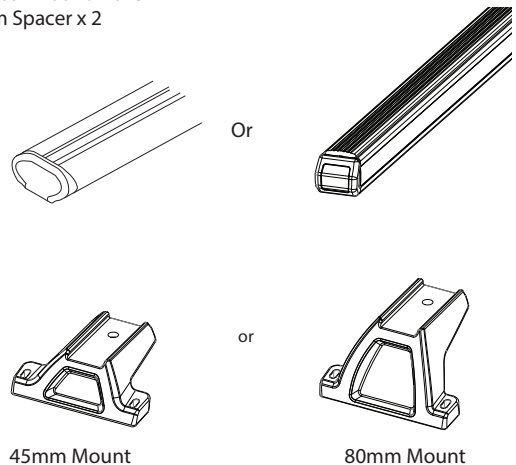


Tools Required

- 1 - Power Drill.
- 2- 5mm Drill Bit.
- 3 - Cold Galvanising Paint.
- 4 - Butyl Mastic.
- 5 - Marker.
- 6 - Tape.
- 7 - Vacuum.
- 8 - Drill Depth Guide.
- 9 - 4mm Allen Tool (provided).
- 10 - Grinder.

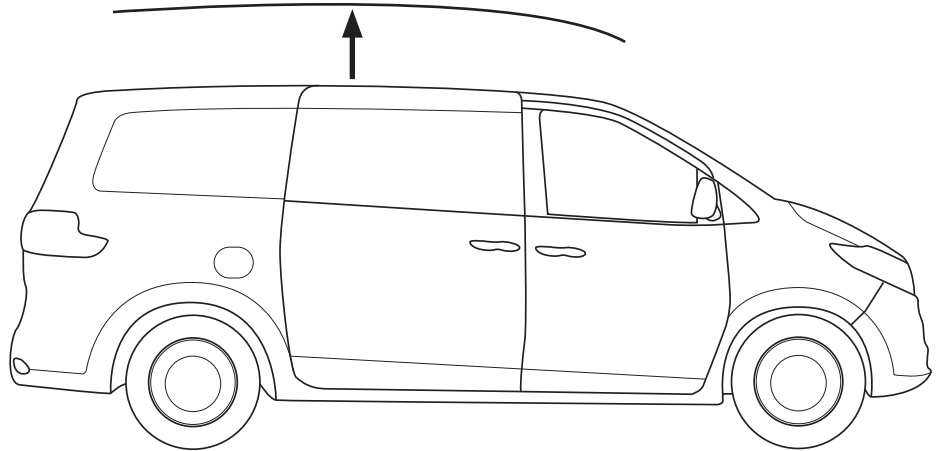
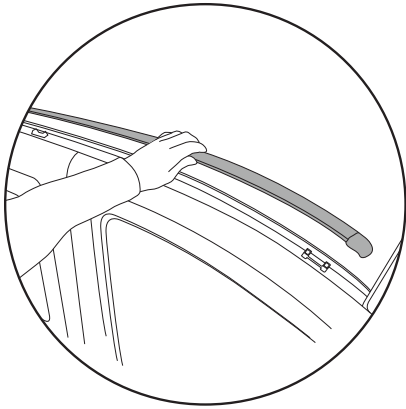
Required kits (as separate):

- Crossbar x3 1500mm
- Crossbar Mount Kit x3
- 10mm Spacer x 2



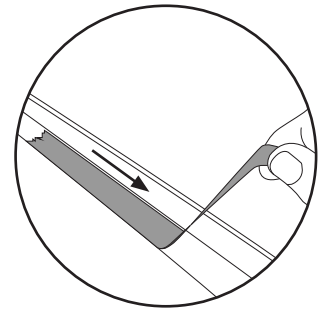
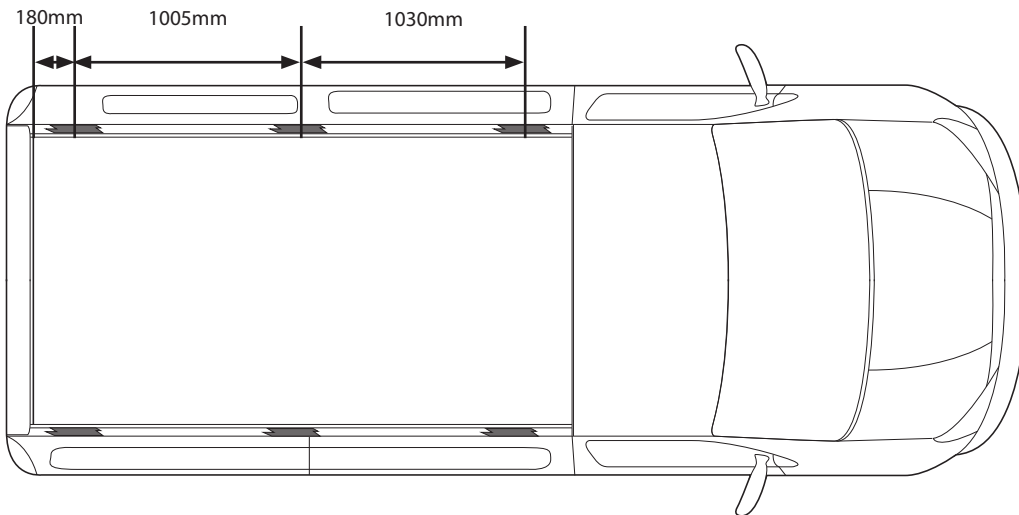
Step 1

Carefully pry out the ditch fill either side of the vehicle.



Step 2

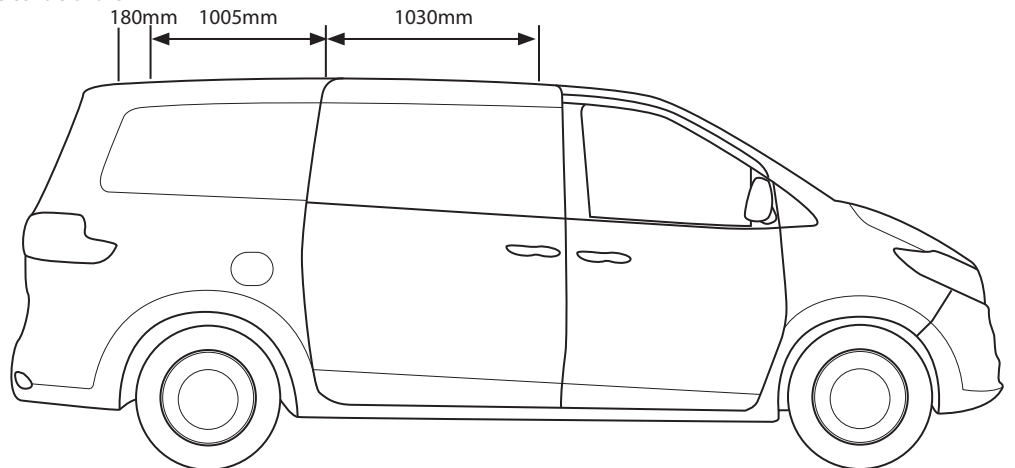
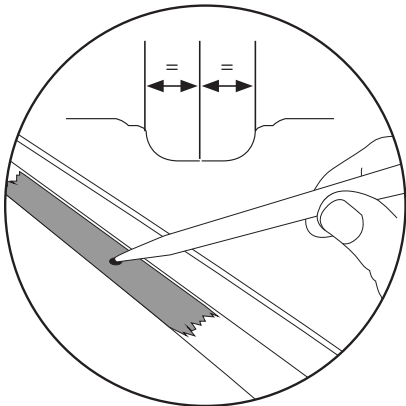
Move to the roof ditch of your vehicle. Place a strip of masking tape in the ditch at the locations shown. Measurements are taken from the rear door jamb.



180mm

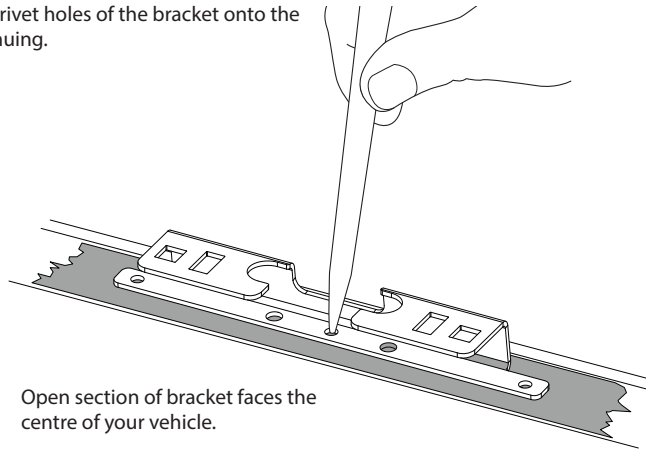
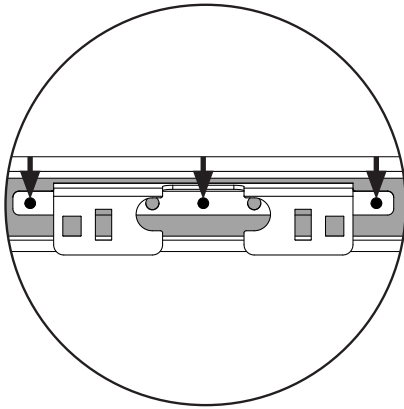
Step 2

With a marker, create point on the tape at the measurements shown below. Be careful to place the point in the centre of the ditch.



Step 3

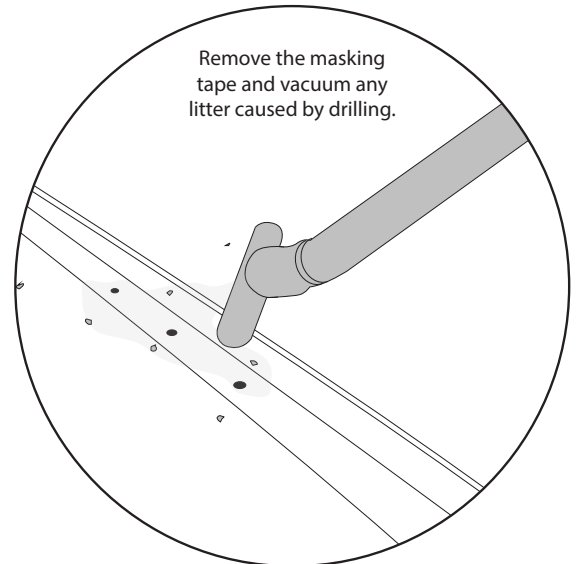
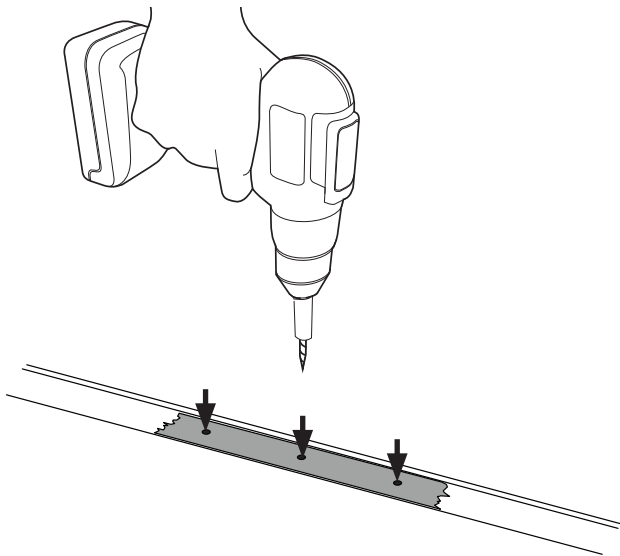
Place the brackets into the ditch at these points. Mark the three rivet holes of the bracket onto the tape below. Make sure the brackets are all parallel before continuing.



Open section of bracket faces the centre of your vehicle.

Step 4

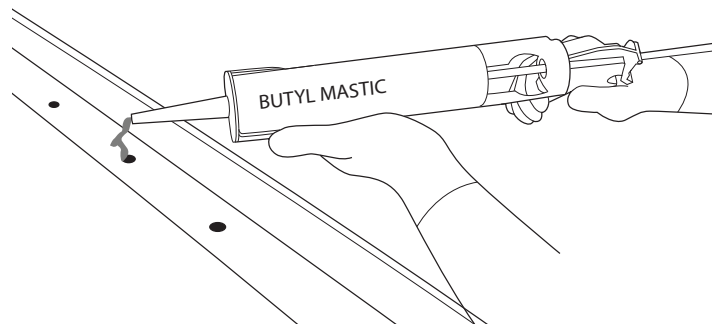
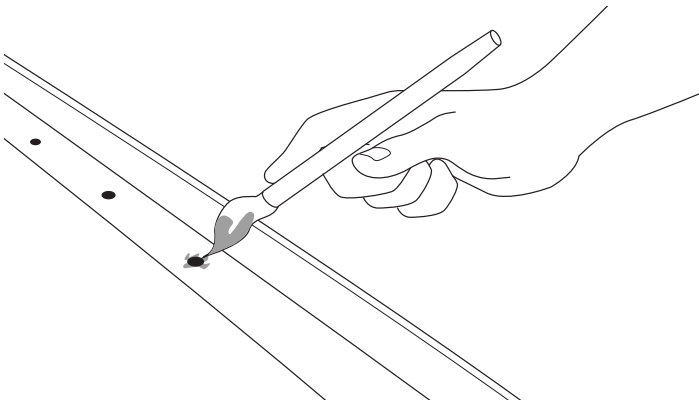
With a 5mm drill bit open out all the points made in the roof in step 3. **A drill depth guide set to 5mm must be used to protect the interior of your vehicle.**



Remove the masking tape and vacuum any litter caused by drilling.

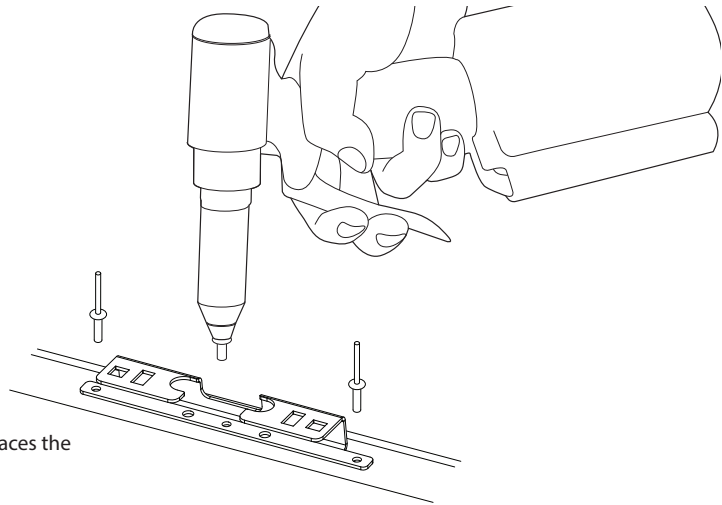
Step 5

Apply cold galvanising paint to the holes drilled. Allow time to dry. Using butyl mastic, apply a water seal to the holes drilled.



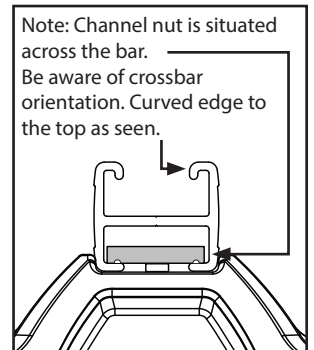
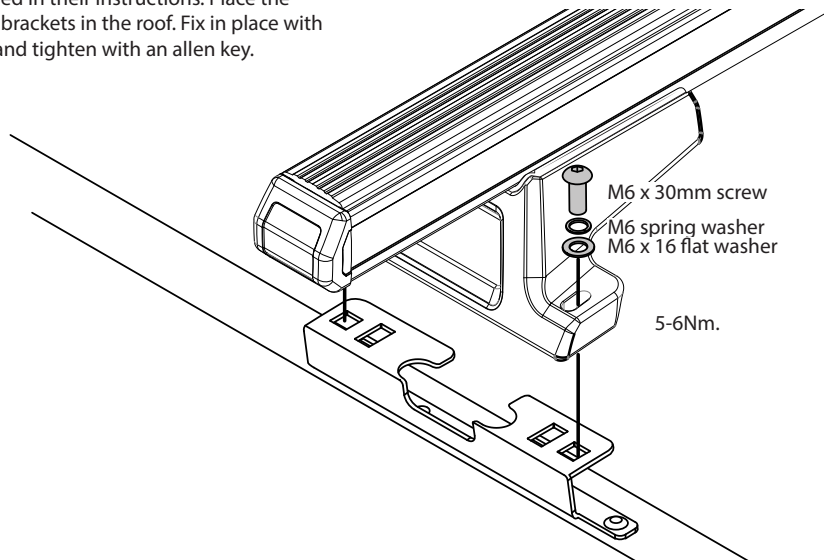
Step 6

Using a rivet gun, fixed the brackets into the drilled holes.



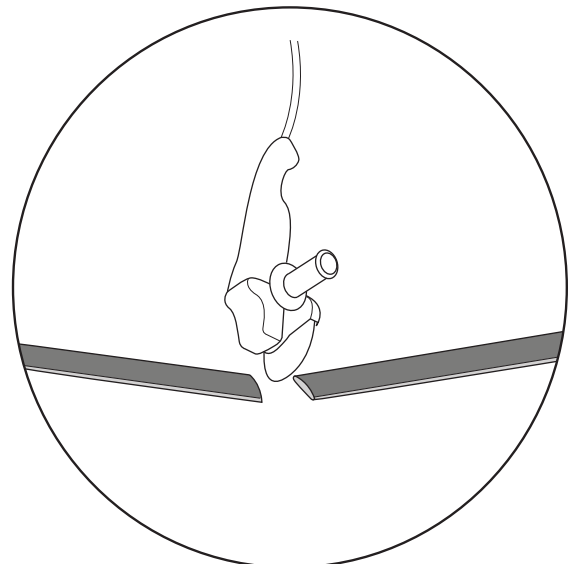
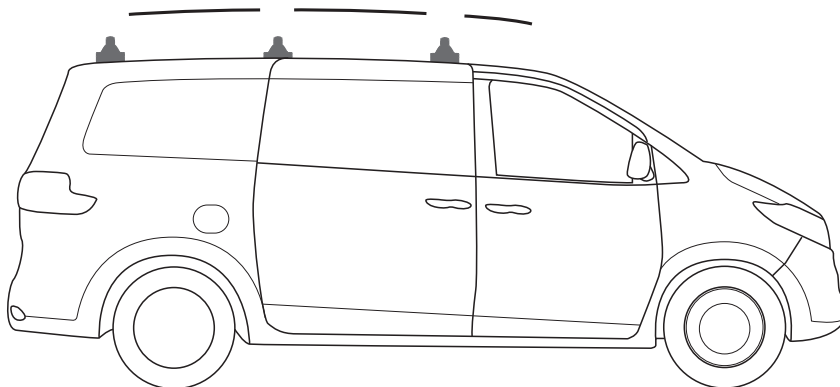
Step 7

Complete legs kits as specified in their instructions. Place the crossbars onto the installed brackets in the roof. Fix in place with the M6 hardware provided and tighten with an allen key.



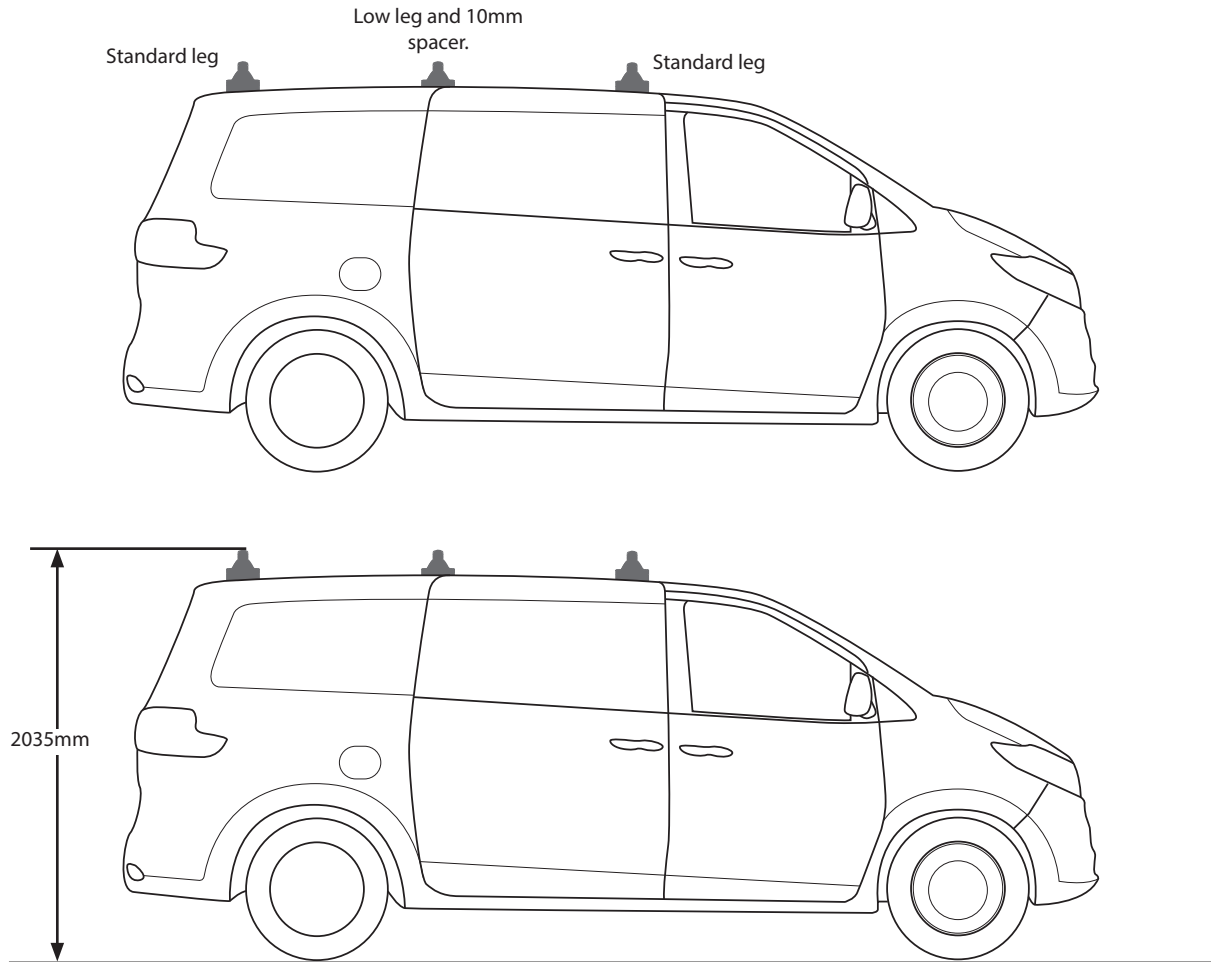
Step 8

Using grinder, carefully cut the ditch fill to fit around the installed mounts.



NOTE

To create a level crossbar system, arrange legs and spacers as shown.



ATTENTION: Thoroughly check all fasteners are secure before driving away. Heights are for standard unloaded vehicles. Always check your specific vehicles height.