



FITTING INSTRUCTIONS
TOYOTA LANDCRUISER 200 SERIES 11/07 ON
TITAN LOW MOUNT ANCHOR POINT
PART NUMBER: **LAPEX007-3**



ISSUE: E
ISSUE RELEASE DATE: 26/03/2021

2. KIT CONTENTS

END SUPPORT (MSES017)	UNDER-COVER STRIP	M8 DROP-&TURN BOLT (22-0924)	M8 FLAT WASHER (22-0195)	M8 SPRING WASHER (22-0162)
M8 HEX NUT (22-0139)	M6 Security BOLT (22-0349)	M8 x 50 STAR BOLT (22-0514)	M8 RUBBER WASHER (22-0519)	O RING (22-0802)
Rear Left - RL (27-0750)	Rear Right - RR (27-0749)	x3 EACH		
PLASTIC ADAPTOR BLOCK		M8 FLAT WASHER (22-0186)		
HEIGHT ADAPTOR KIT (BKC-L)				
<i>HEIGHT ADAPTOR AND M8 X 45mm BOLT</i>				
LOW MOUNT WITH END CAPS (25-0310 - 2 pack)		INTERLOCKING BLOCK (19-0061)		
<i>Each Low Mount contains two end caps</i>				

Prior to assembly, check that your roof rack kit contains all the parts as listed above. Ensure the vehicle roof is clean and dry.

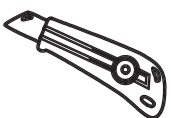
3. TOOLS AND MATERIALS REQUIRED



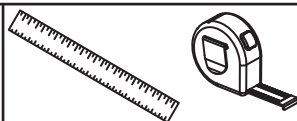
Flat Head Screwdriver



Rubber Mallet



Cutting Knife - Use to open Kits, and trim Buffer Strip to size.



Measuring Rule - Use to check dimensions and distances of cross-bars.



Cleaning/protective Cloth - Use to wipe down vehicle, and use to protect vehicle paint.



Marking Pencil - Use to mark buffer strip.



13mm Spanner

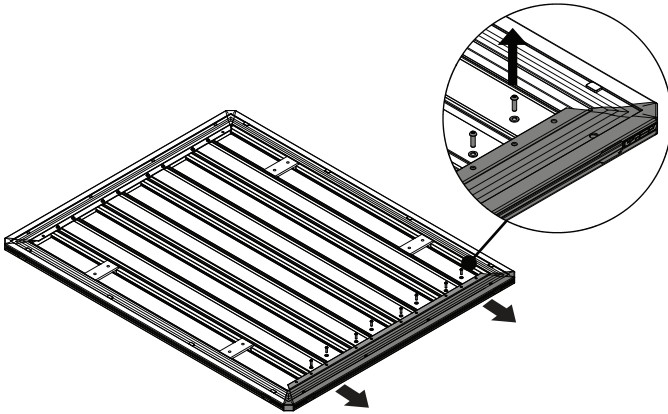
4. INSTALLATION STEPS

STEP 1

Note: Refer to Titan Tray instructions for tray assembly.

Skip to Step 4 on the following page if you have already inserted the interlocking blocks.

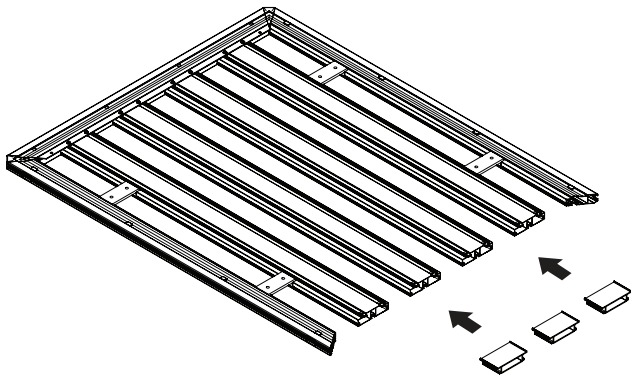
Place tray upside down.
Remove fasteners on one side and remove the end plank.



STEP 2

For TFT1212, TFT1512 & TFT1812:
Insert the three interlocking blocks between the four centre planks.

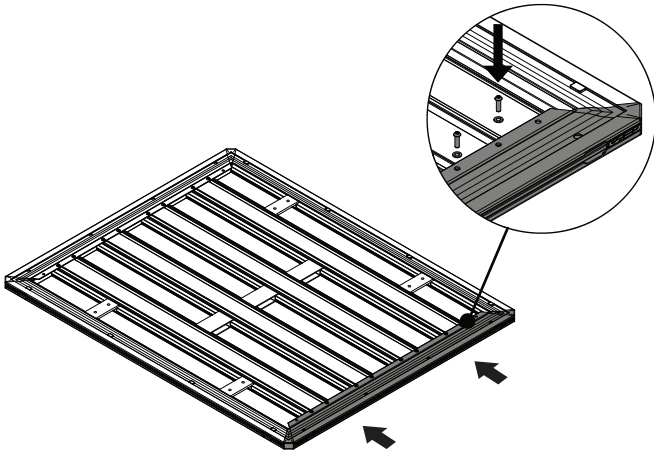
For TFT2014:
Insert the four interlocking blocks between the five centre planks.

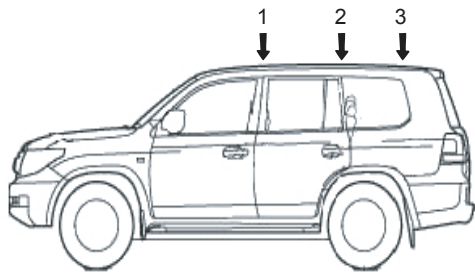


STEP 3

Re-install the end plank and fasteners.

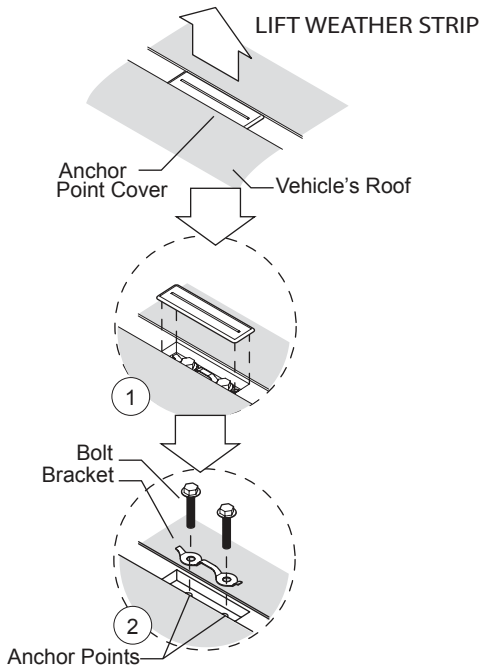
Tighten fasteners securely.





STEP 4

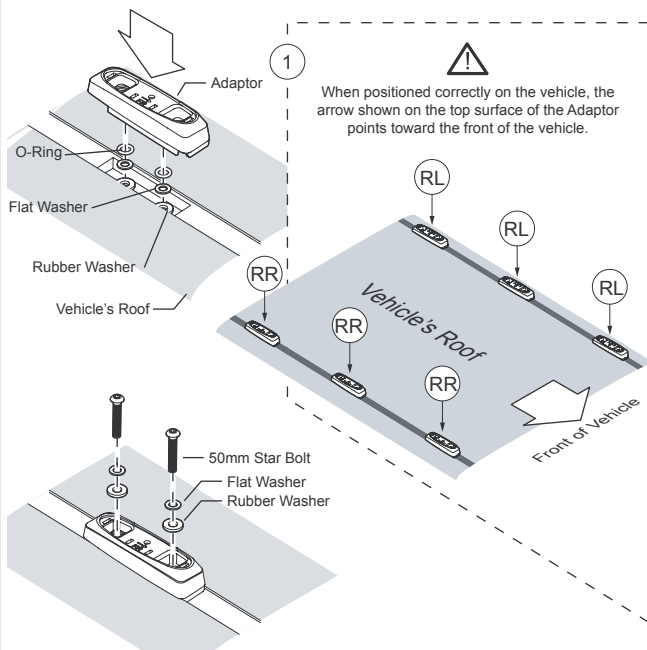
Remove the six Anchor Point Covers from the roof of the vehicle.



STEP 5

Remove the Bolts and Brackets. The Anchor Points should now be exposed.

⚠ Store the Anchor Point Covers, Bolts and Brackets safely while the Roof Racks are in.



STEP 6

Install the adaptors in the corresponding locations (as shown). Ensure correct orientation.

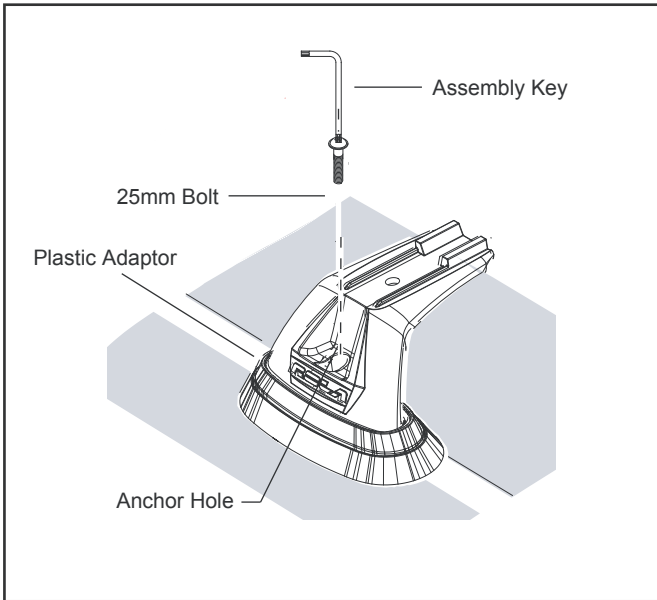
⚠ Each Adaptor is marked with a unique identification code and belongs to a specific location .

Place the rubber washer, then flat washer, followed by the adaptor with rubber O-Rings (located on the bottom of each of the adaptors in the grooves allocated to them in the base of the adaptors).

Place a Flat Washer and Rubber Washer on the threaded end of the M8 star bolts. Insert the bolts through the correct adaptors (as shown) and thread into the anchor points.

Using the Red Security Key, tighten the Bolts to approximately 7Nm of torque or a firm hand-tightness such that the Adaptor is fixed to the vehicle.

Repeat for all remaining Adaptors.

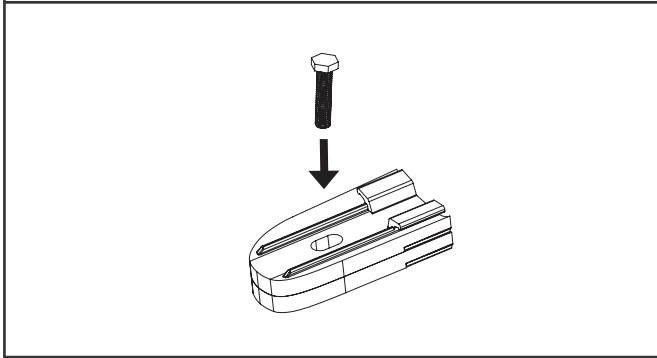
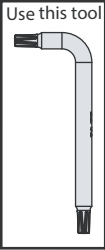


STEP 8

Place an end support onto the plastic adaptor and loosely secure it down with a 25mm bolt by inserting the bolt into the step bracket cage nut, and turning approximately 2-3 turns with the security key.

Tip: Leave loose until last step to allow final adjustment.

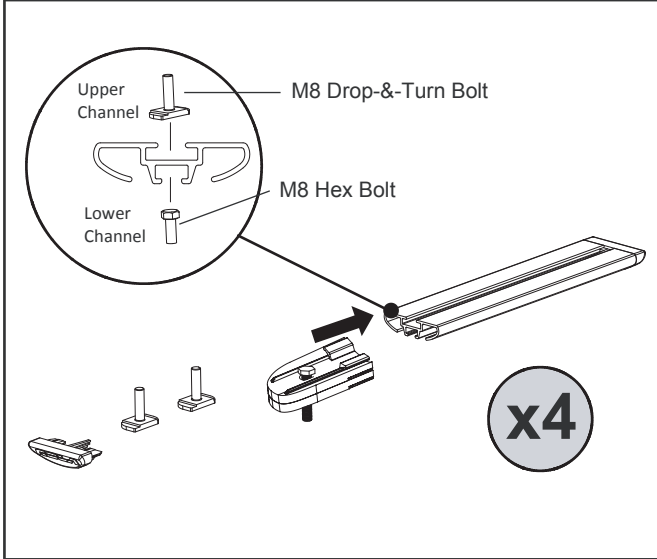
Repeat for all locations.



STEP 9

Insert the M8 x 45mm bolt in the height adaptor. Complete for all four sets of height adaptors.

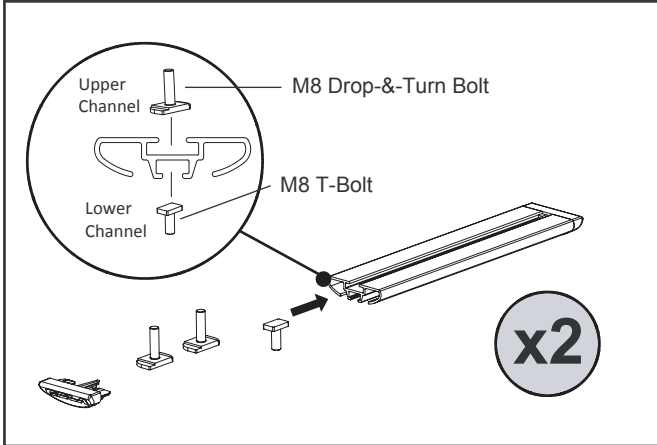
Note that BKC-L consists of 2 height adaptors stacked on top of each other.



STEP 10

Remove the end cap from one side of the Low Mounts and insert the fasteners, including the height adaptors with the bolts.

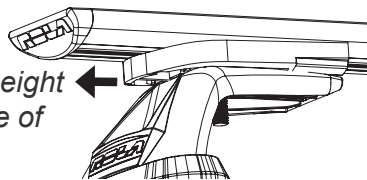
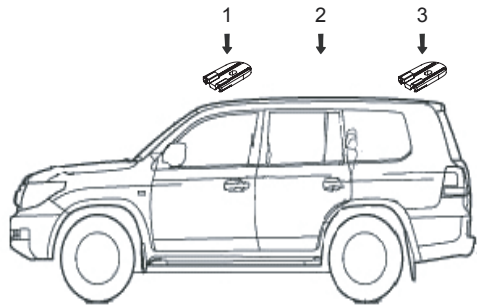
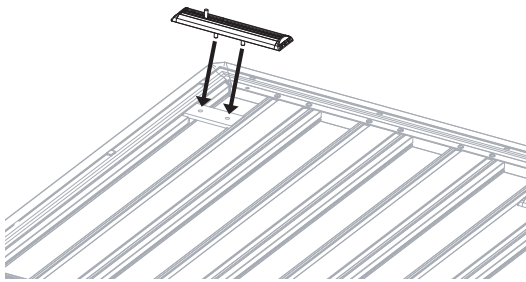
Complete for four Low Mounts and BKC height adaptor kits.



STEP 11

Remove the end cap from one side of the remaining Low Mounts and insert fasteners:
 2 x M8 Drop-&-Turn bolt
 1 x M8 x 20 T-bolt

Note: Use Drop-&-Turn bolts supplied with Titan Tray in addition to those supplied with this kit.



Curved edge of height adaptor to outside of tray/vehicle.

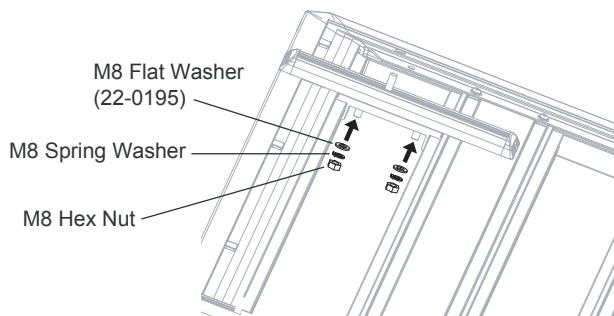
STEP 12

Tip: Work with tray upside down.

Position Low Mounts so the M8 Drop-&-Turn bolts are inserted into the tray mounting blocks.

Place the Low Mounts with the height adaptors in the FRONT and REAR position on the tray.

Ensure the height adaptor orientation is correct as shown. The curved edge of the height adaptor must face out when sitting on the end support.

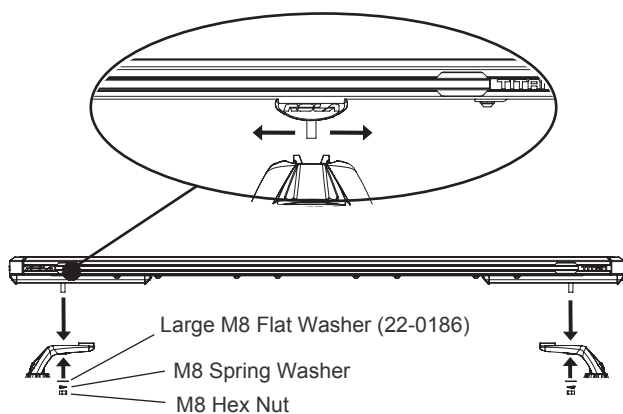


STEP 13

Thread fasteners on drop-&-turn bolts for all locations.

Tip: Leave loose until last step to allow final adjustment.

Note: Use M8 spring washer, flat washer and hex nut supplied with Titan Tray in addition to those supplied with this kit.



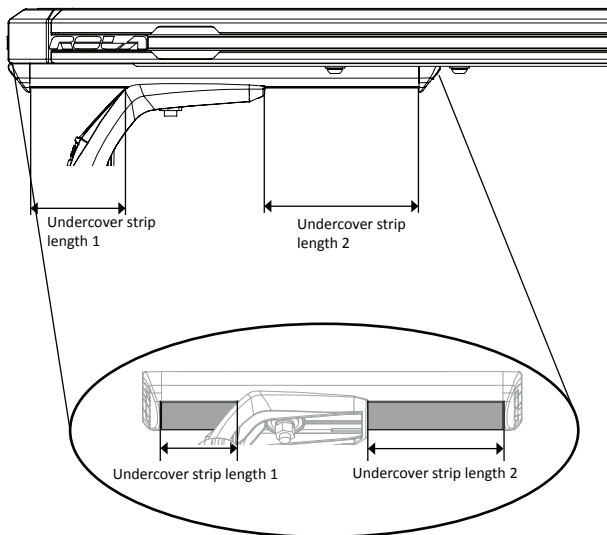
STEP 14

Lift tray above vehicle and slide Low Mounts and Mounting Blocks to line up with end supports.

Lower Titan Tray on to the end supports and ensure tray is centred in the desired location.

Thread the fasteners in place.

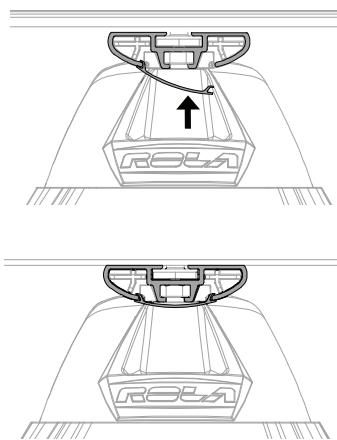
Tip: Leave loose until last step to allow final adjustment.



STEP 12

Measure and cut the undercover strip to suit all locations.

Tip: Front and rear lengths may differ in size.



STEP 13

Insert the undercover strip lengths into each Low Mount.



STEP 14

Tighten all fasteners securely.

Your fitment is complete.

USAGE INSTRUCTIONS

It is essential for the proper assembly, operation and use of the Roof-rack that the instructions and safety precautions supplied are strictly observed. The Maximum permissible load for your Roof Bar is the lower of the maximum load capacity specified in your vehicle operation manual, or specified as applying to the Roof-rack. Do not exceed the maximum specified Load capacity.

Maximum Permissible Load = Weight of the Roof-rack + Weight of Accessories + Weight of Load(Cargo).

When fitting the Roof-rack and transporting a load, ensure the vehicle's functions are not impaired (eg. sunroof, aerials, windscreen wipers, mirrors).

Hatch and wagon vehicles should be inspected for adequate clearance for full opening operation of the boot/tailgate.

Stop and check all screw connections, bolts and retaining straps after a short distance of travel. Repeat these checks at regular intervals.

WARNINGS

Remember that the fitting of a Roof-rack and the transport of a load increases the overall height of the carrying vehicle.

Where the roof-rack is to be used in off-road conditions, a safety weight reduction of 1.5 should be observed from the total carrying capacity (eg. 60kg becomes 40kg).

Equent will not be liable to the purchaser or any other person for any consequential, direct or indirect loss, damage or costs incurred or suffered by the purchaser or any other person including but not limited to damage to persons or property, loss of turnover, loss of profits, loss of business or goodwill arising from or in relation to the assembly and use of the Roof-rack, or the non-observance of the fitting and care instructions.