

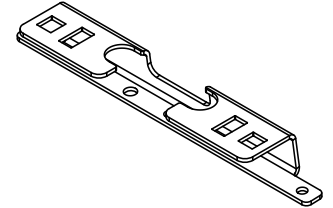


'Tradie Tuff'

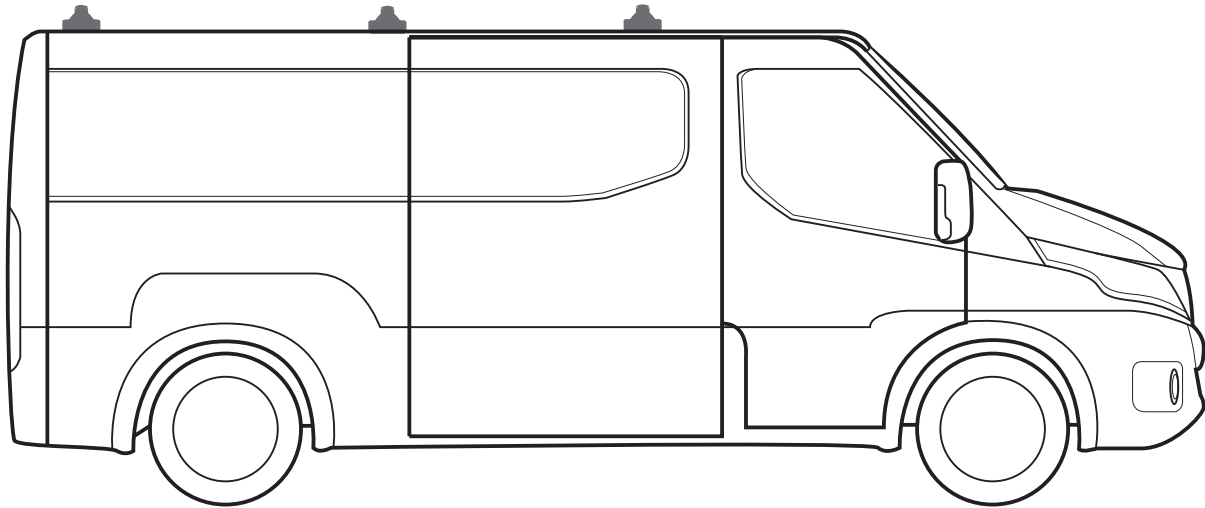
COMMERCIAL ROOF RACKS

IVECO DAILY, 05/2015 - ON

FIXED MOUNT



PART NUMBER: VAS.RC1222, VAS.RA1222, VAS.RC1141, VAS.RA1141, VAS.RC1072, VAS.RA1072, VAS.RC1005, VAS.RA1005, VAS.RC1073, VAS.RA1073, VAS.RC1003, VAS.RA1003, VAS.RC1071, VAS.RA1071, VAS.RC1001, VAS.RA1001,



Note:

- PLEASE READ INSTRUCTIONS AND CHECK CONTENT PRIOR TO INSTALLING.
- PLACE INSTRUCTIONS IN VEHICLES GLOVE COMPARTMENT AFTER INSTALLING.



3 Bar maximum capacity: 100kg

Tested to AS/NZS 1235-200 ADR standards

- Please check your vehicle's manual for vehicle load capacity (please do not exceed the lowest load rating) and please download and read our Load Rating guide which can be found on our website vas.com.au.
- Load rating is based on driving on sealed roads to road conditions and includes weight of roof rack system.

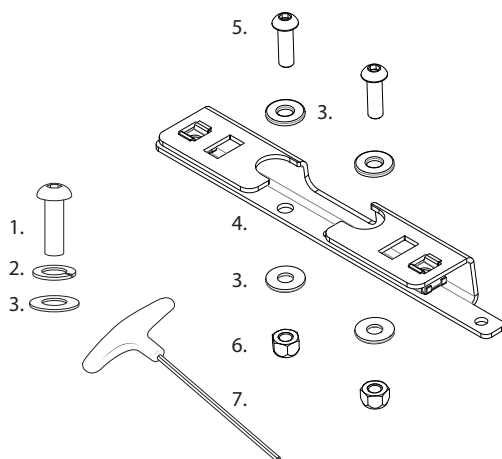
Important information

- Complete maintenance checks weekly including bolt connections and tightness.
- Heavy loads carried near feet
- Overhanging loads should conform to relevant state laws
- Check tie down strap tension every 50klm as loads can shift
- Specialised equipment carriers such as ladder slides should be used
- Ensure your roof racks, ladder rails and or load does not inhibit the tailgate lifting on vehicles manufactured with these doors
- Check car park heights before entering
- Keep load under the maximum capacity
- Use non stretch fastening straps
- Remove roof racks prior to using an automatic car wash

Note: The handling characteristics of a vehicle will change when a carrier system is fitted. Driving technique such as speed reduction, cornering techniques and braking distances should be altered to allow for these changes.

Kit Inclusions

Item	Part	Qty
1	M6 x 30mm pan HD Screw - F008	12
2	M6 Spring Washer - F012	12
3	M6 x 16mm Flat Washer - F011	24
4	Common Bracket - C090	6
5	M6 x 20mm Screw - F006	12
6	M6 Nyloc Nut - F052	12
7	4mm Allen Key - C028	1

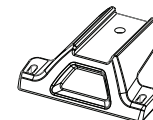
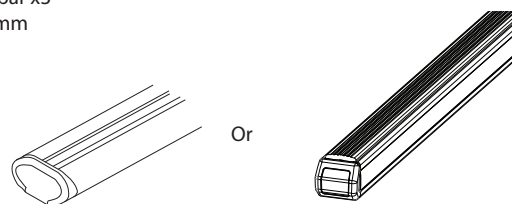


Tools Required

- 1 - Power Drill.
- 2 - Drill Depth Guide.
- 3 - Cold Galvanising Paint.
- 4 - Butyl Mastic.
- 5 - Marker.
- 6 - Tape.
- 7 - Vacuum.
- 8 - 6mm Drill Bit.
- 9 - 10mm Spanner.

Required kits (as separate):

Crossbar x3
1650mm

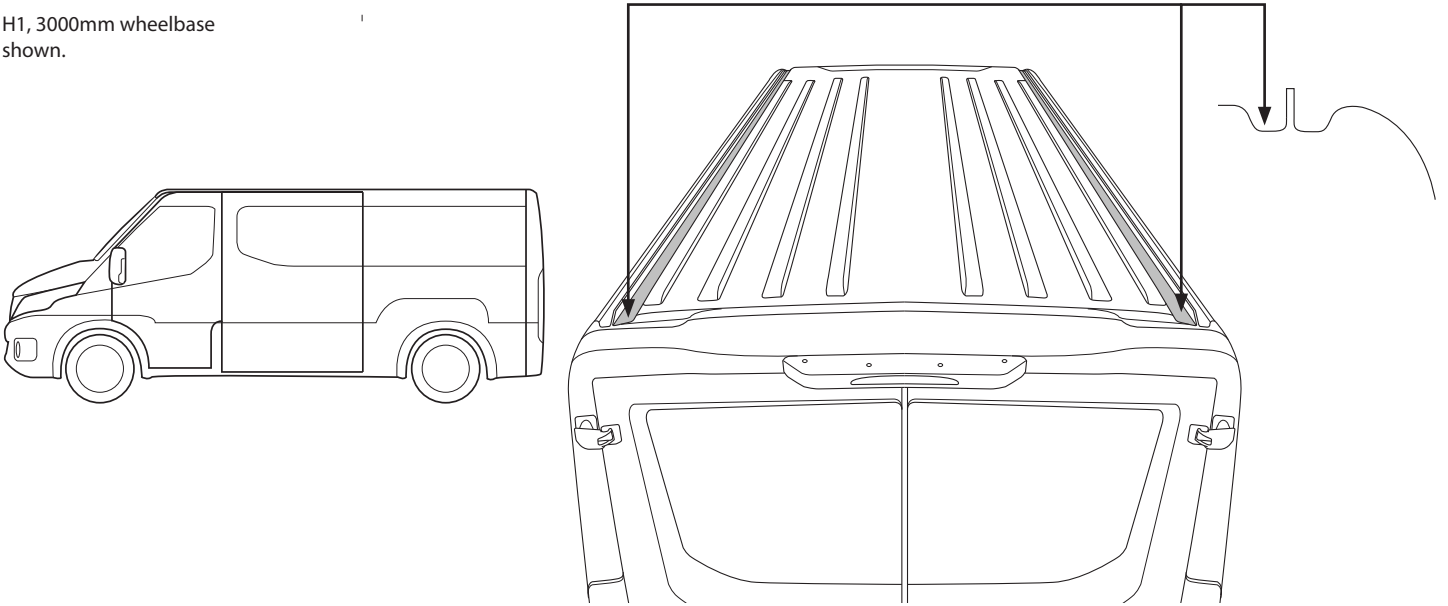


45mm Mount

Step 1

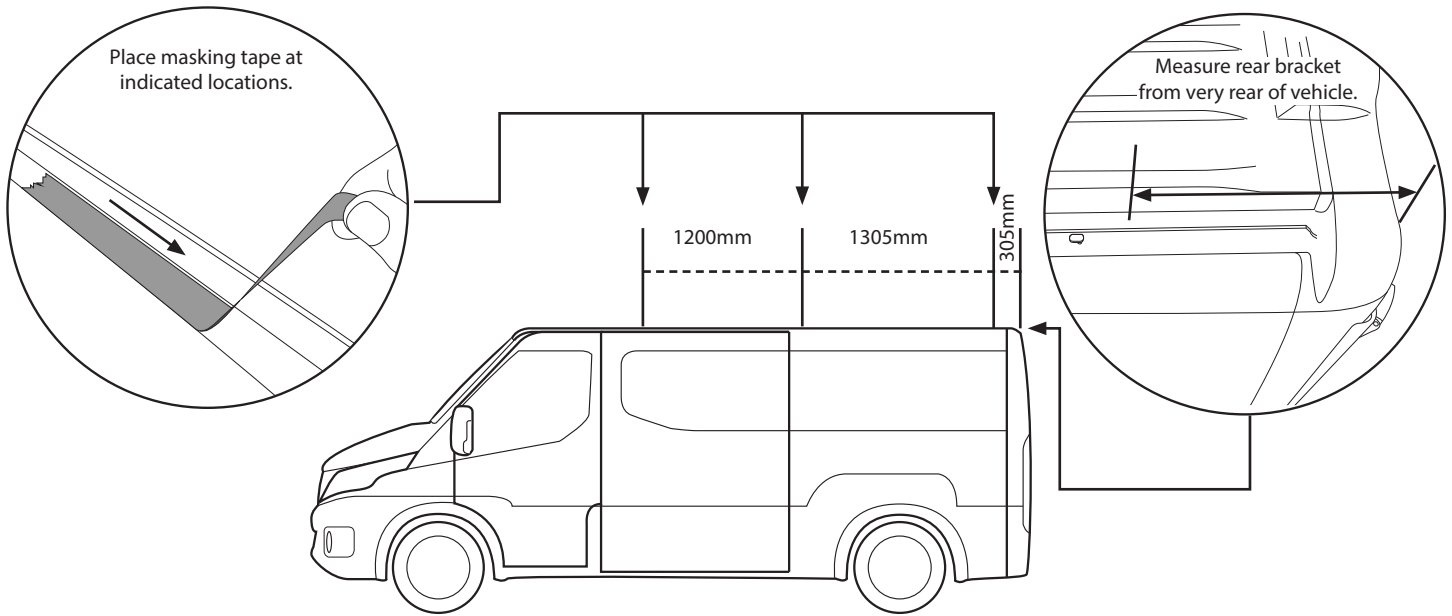
Move to the roof ditch of your vehicle. Note the correct ditch that will be used to install the brackets below.

H1, 3000mm wheelbase shown.



Step 2

With the correct working space identified, place a length of masking tape at the measurements shown.



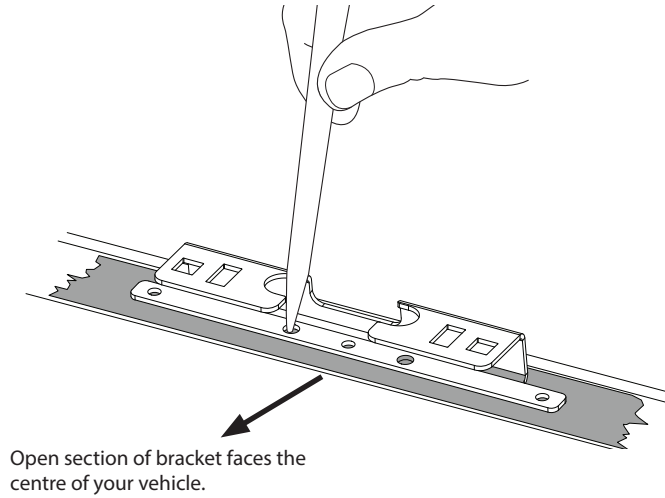
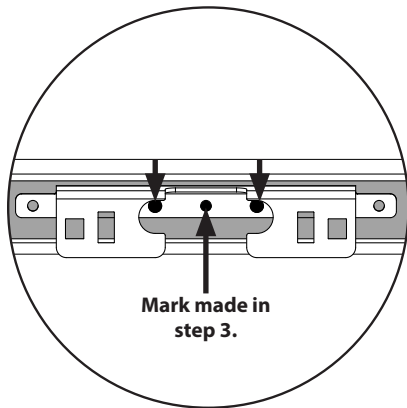
Step 3

With a marker, create a point on the tape at the measurements shown below. Be careful to place the point in the centre of the ditch.



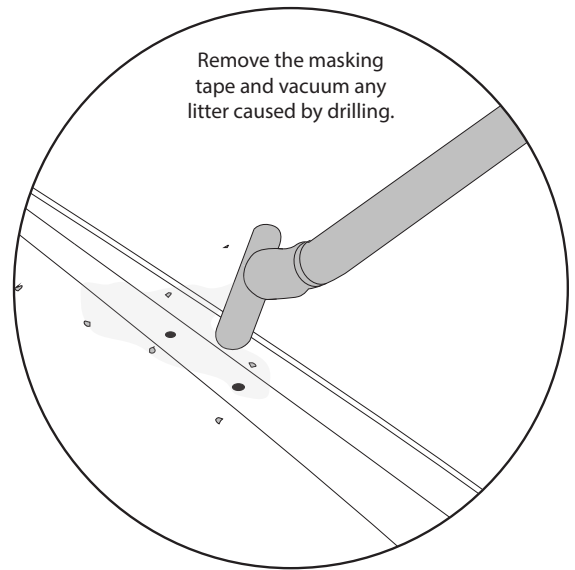
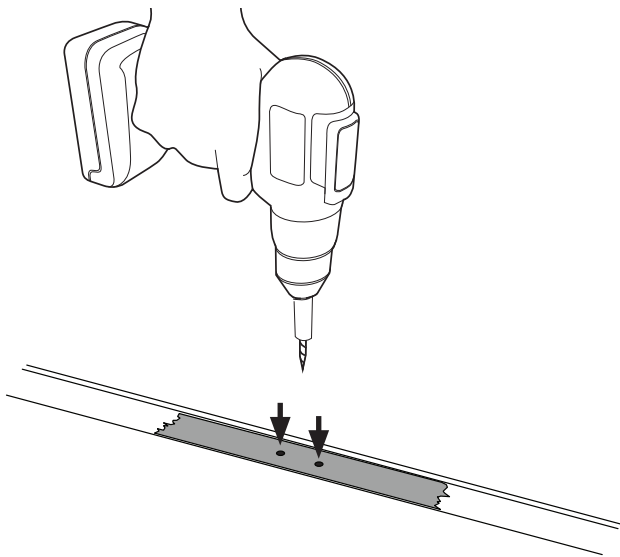
Step 4

Place the brackets into the ditch at these points. Mark the two holes either side of the reference point made in step 3. Make sure the brackets are all parallel before continuing.



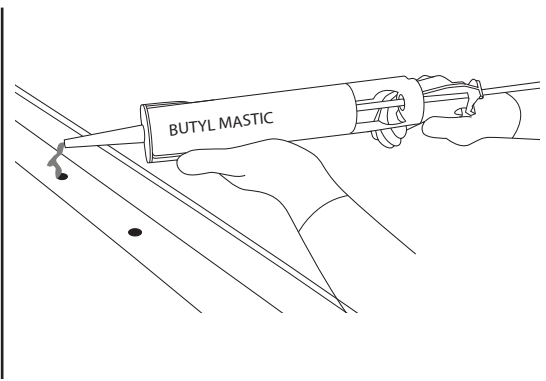
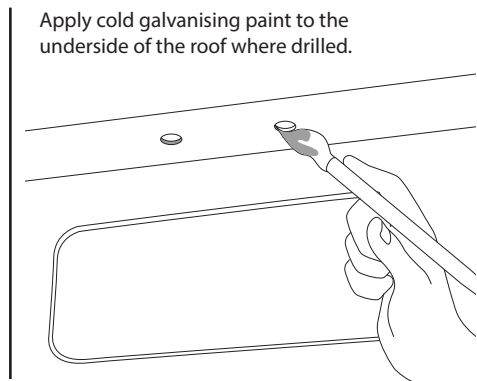
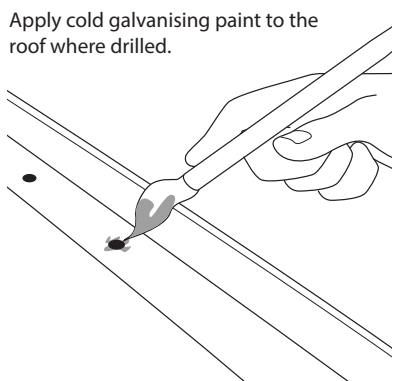
Step 5

With a 6mm drill bit open out all the points made in the roof in step 3. **A drill depth guide set to 5mm must be used to protect the interior of your vehicle.**



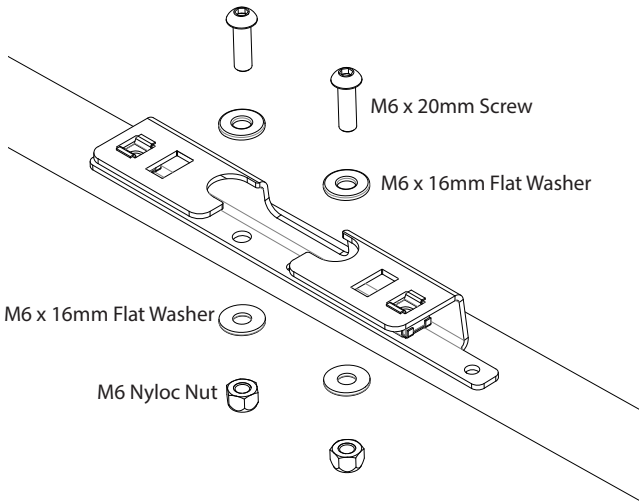
Step 6

Apply cold galvanising paint to the holes drilled. Allow time to dry. Using butyl mastic, apply a water seal to the holes drilled.

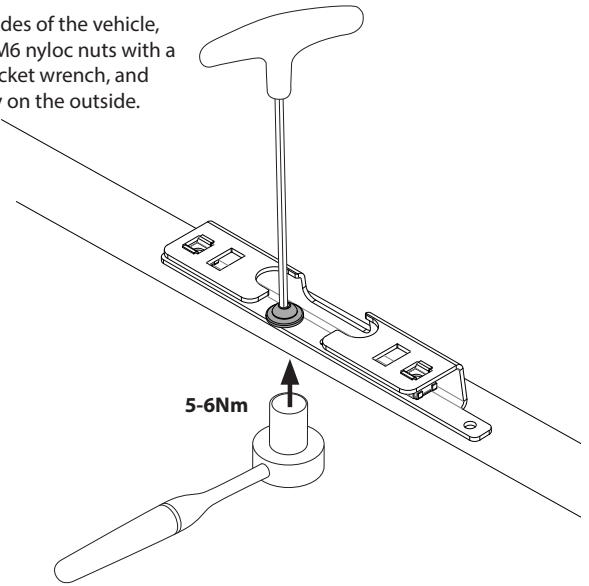


Step 7

With assistance, pass the M6 hardware through the vehicle. Attach M6 nyloc nuts and washers onto the exposed threads within the vehicle.

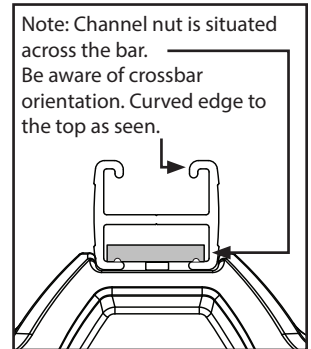
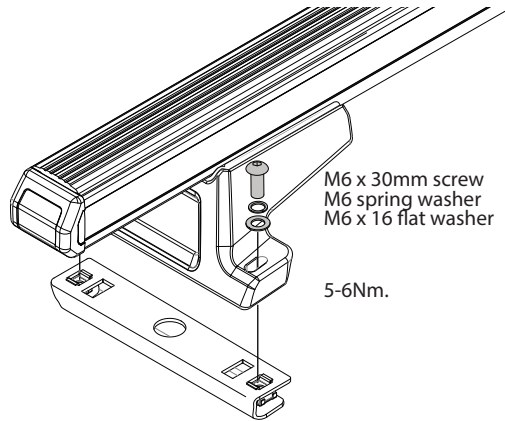


On the insides of the vehicle, tighten the M6 nyloc nuts with a 10mm socket wrench, and allen key on the outside.



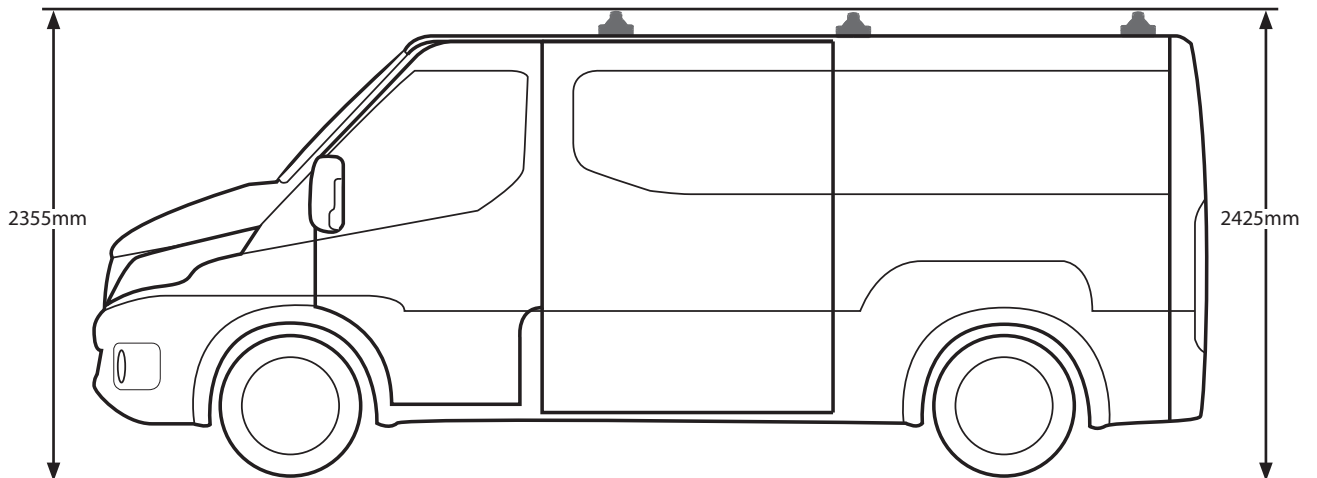
Step 8

Complete crossbar mount kits as specified in their instructions. Place the crossbars onto the installed brackets in the roof. Fix in place with the M6 hardware provided and tighten with an allen key.



NOTE

ATTENTION: Thoroughly check all fasteners are secure before driving away. Heights are for standard unloaded vehicles. Always check your specific vehicles height.



WHEELBASE (X)	HEIGHT
3000	2385mm
3520	2385mm
3520	2745mm
3520L	2745mm
4100	2745mm
4100	2945mm

NOTE: Always check height after install.

