

Maximum Carrying Capacity: 2-Bars: 60kg; 1-Bar: 30kg

**Parts List: (Refer to Fig.1)**

Item	Description	Qty.	Part No.
1a	Cross Bars (with Buffer Strip)	2 (1)	EX1250B (APE fitment)
1b	Cross Bars (with Buffer Strip)	2 (1)	B11(B) (CAP fitment)
2	End Support	4 (2)	MSES017
3	Plastic Multi Pad	4 (2)	27-0717
4	Rubber Gasket	4 (2)	27-0718
5	Security Key	1	22-0811
6	45mm Bolts	4 (2)	22-0220
7	Fitting instructions	1	

For the Single-Bar fitments, only the relevant Cross Bar and Bolts are included. The number shown in brackets denotes the quantity included in the Single-Bar fitments.

**NOTE: Prior to Assembly**

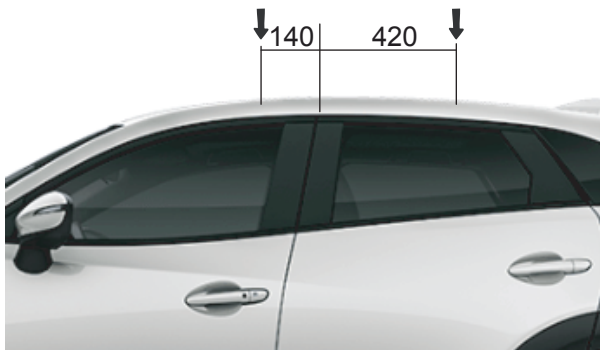
Prior to assembling, check that the kit contains all the parts you will need to fit the Roof Racks. Refer to the Parts List for guidance. Please read these fitting instructions prior to assembly.

**STEP 1: Preparing Anchor Points**

- A. There are a few available anchor points on your vehicle but your roof rack is designed to utilise the anchor points in the locations shown in Fig. 2. Measurements are taken from the middle of the "B" Pillar
- B. Carefully peel back the plastic weather strip to access the anchor points. Directly above the designated anchor points mark a reference point on the weather strip (Fig. 3).
- C. Remove the weather strip completely from the vehicle and drill an 8mm hole through the weather strip at each anchor point position. Ensure the holes aligns with the anchor points on the roof of the vehicle. (Fig. 3).
- D. Re-fit both weather strips

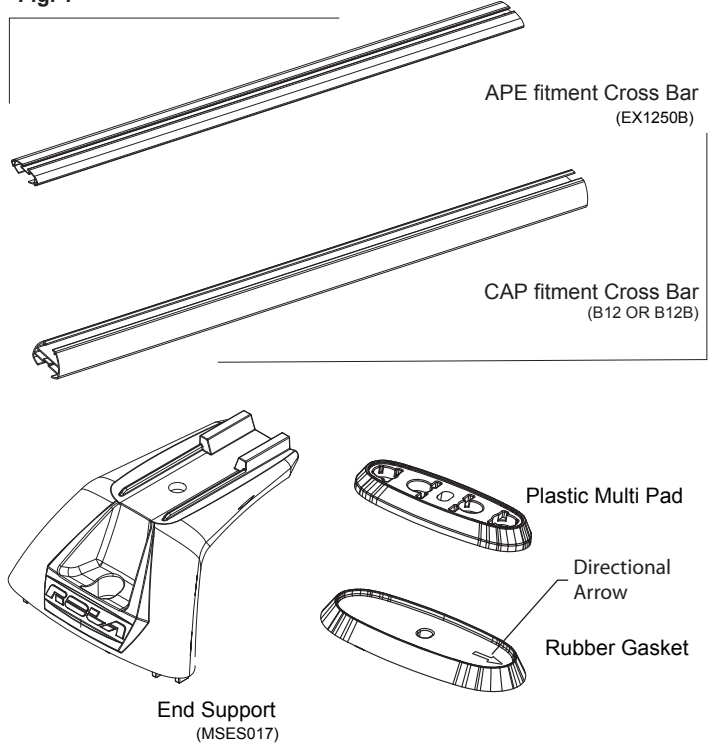
Location of Anchor Points on Vehicle Roof:

**Fig. 2**

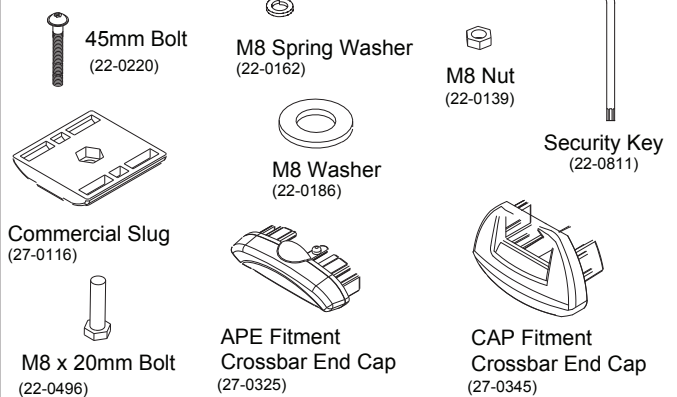


FAILURE TO FOLLOW THESE INSTRUCTIONS WILL VOID WARRANTY

**Fig. 1**

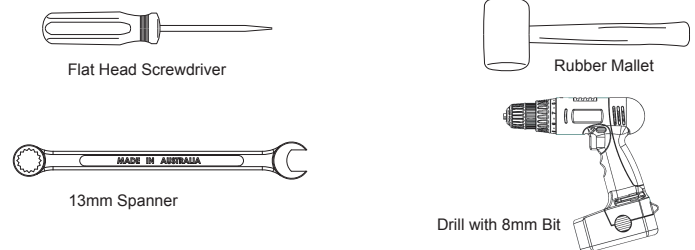


**Fit Kit - Hardware**

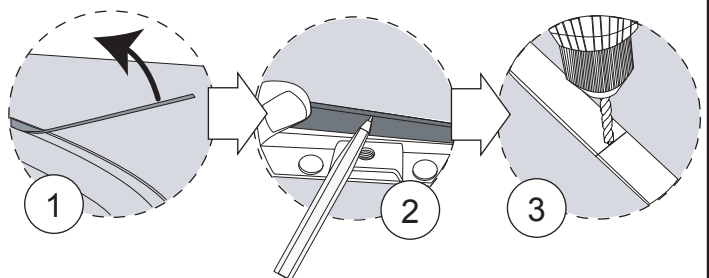


**Please Note:**

You will require the following tools



**Fig. 3**



**STEP 2: Installing the Rubber Gaskets and Multi Pads**

A. Replace an Anchor Point Cover, From STEP 1, with one of the supplied Rubber Gaskets

- ⚠ Ensure the Rubber Gasket is oriented correctly (Fig. 4a).
- ⚠ Each Rubber Gasket is marked with a directional arrow (Fig. 4a.1).
- ⚠ Ensure that the center hole in the gasket lines up with the anchor point thread in the roof.

B. Locate the Plastic Multi Pad onto the Rubber Gasket

- ⚠ Ensure the Multi Pad is oriented correctly (Fig. 4b).
- ⚠ Ensure that the center hole in the Multi Pad lines up with the anchor point thread in the roof.

C. Repeat STEPS A and B with the remaining Adaptors.

**STEP 3: Fitting the Cross Bars to the Vehicle**

A. Place an end support onto the adaptor from STEP 2, and loosely secure it down with a 45mm bolt by inserting the bolt into the anchor hole, and turning approximately 2-3 turns with the security key (Refer to Fig. 5a). Do not tighten yet. Repeat for the opposite side.

B. Place the crossbar onto the end supports ensuring that the end supports are located into the cutouts on the underside of the crossbar. (Refer to Fig. 5b)  
 Check that the cross tube has equally distanced overhang on either side from the end support.

C. Insert the M8 nut into the cavity on the Commercial Slug. (Refer to Fig. 5c).

D. Insert the Commercial Slug into the cross tube, and align it so that the M8 nut in the Commercial Slug and the hole at the bottom of the end support line up. (Refer to Fig. 5c).

E. Secure the cross tube to the end support by screwing the M8x20mm bolt through the hole in the end support and up into the nut that is located in the cavity of the Commercial Slug. (Refer to Fig. 5c).

F. Using a 13mm Spanner, full tighten the 20mm bolt on the underside of the end support. (Refer to Fig. 5c).  
 Using the Security Key, tighten the 45mm bolts to approximately 7Nm of torque or a firm hand-tightness. (Refer to Fig. 5c).

G. Insert an end cap into both ends of the cross tube (Refer to Fig. 5c).

**STEP 4: Using the Roof Racks**

A. Refer to 'Care for your Racks' to maintain your Roof Racks.

B. To load accessories into the Channel of the Cross Bars, remove the end cap from the end of the cross tube.  
 Once the accessories have been loaded, re-insert the end cap back into the end of the cross tube.

Intermittently check that all Screws and Bolts are sufficiently tightened whilst the Roof Racks are in use.

**FAILURE TO FOLLOW THESE INSTRUCTIONS WILL VOID WARRANTY**

