



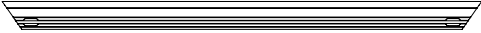



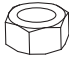


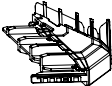
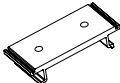
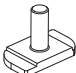
## FLAT TRAY FITTING INSTRUCTIONS

Revision 5, April 2020

Read this full instruction manual prior to commencing assembly and fitment of Titan Flat Tray.

### CONTENTS

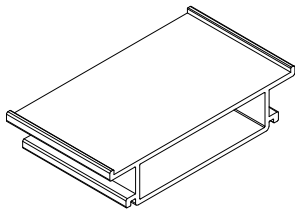
Check your kit contains all the parts listed for your tray size

			TFT1212	TFT1512	TFT1812	TFT2014
A		Inner Planks	4	4	4	5
B		Front/Rear Planks	2	2	2	2
C		Side Planks	2	2	2	2
D		U Nuts	16	16	16	20
E		M6 Screws	16	16	16	20
F		M6x12.5 Washers	16	16	16	20
G		M8 Nuts	4	4	6	6
H		M8x17 Washers	4	4	6	6
I		M8 Spring Washers	4	4	6	6
J		Corner Pieces	4	4	4	4
K		Mounting Blocks	4	4	6	6
L		Drop-&-Turn Bolts	4	4	6	6

## ADDITIONAL TITAN FLAT TRAY MOUNTING HARDWARE

Sold Separately

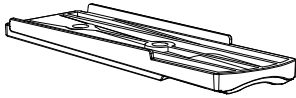
The following parts can be purchased separately to fit the tray to a wide range of vehicles.



Interconnecting Block\*  
(single)  
25-0312

Interconnecting blocks are used to increase tray rigidity.

This forms part of the Low Mount fitment to increase the rigidity of the tray without the support of the full length cross bars.

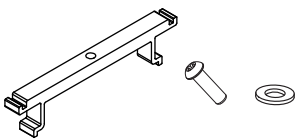


Curvature Adaptor\*  
(2 pack)  
25-0313

Are your cross bars curved?

Curvature adaptors are designed to be used with curved cross bars to create a flat platform to mount the tray.

Requires 2 x 25-0313 for a 2 bar installation



Side Support\*  
(4 pack)  
25-0311

Are your cross bars narrow?

You can locate the mounting blocks inboard of the first plank with the use of the side supports (see steps 10 and 11).

See page 3 to determine if you need a side support kit.

\*All additional parts are sold separately.

# STAGE 1

## TRAY CONFIGURATION

**i** The Titan Flat Tray is designed to be highly versatile. Check if you need curvature adaptors or a side support kit to fit the Titan Flat Tray to your vehicle by following steps 1 and 2 below.

### 1 Are your crossbars curved?

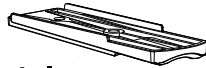


Curved Crossbar



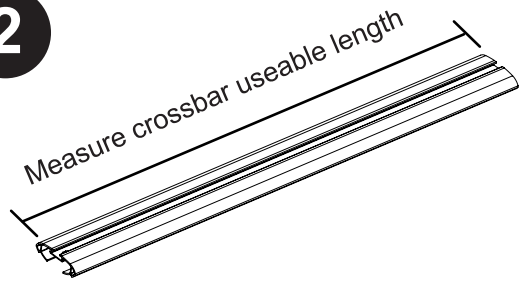
Flat Crossbar

The Titan Flat Tray can be mounted to curved crossbars with curvature adaptors. Refer to step 14 for installation



Part number 25-0313 sold separately

### 2



The Titan Flat Tray can be mounted to narrow crossbars with the use of a side support kit. Use the table below to determine if you need a side support kit

Refer to step 10 & 11 for installation

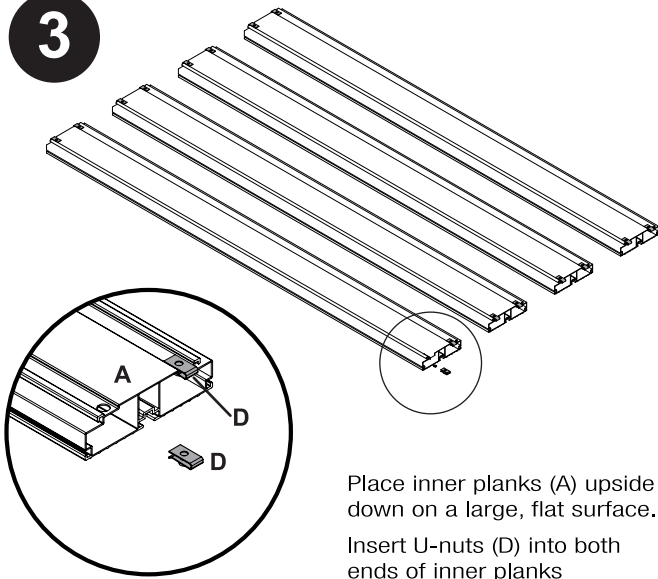
Part number 25-0311 sold separately

		TFT1212, TFT1512, TFT1812	TFT2014
<b>Cross bar length</b>	Greater than 1040mm	Standard Fitment	NO
	Less than 1040mm	Narrow Fitment	YES
	Greater than 1275mm	Standard Fitment	NA
	Less than 1275mm	Narrow Fitment	YES

## STAGE 2

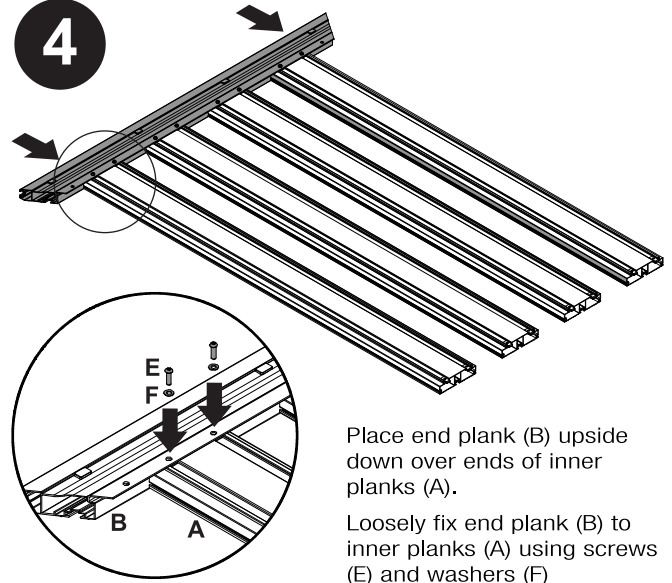
### BUILD YOUR FLAT TRAY

3



Place inner planks (A) upside down on a large, flat surface.  
Insert U-nuts (D) into both ends of inner planks

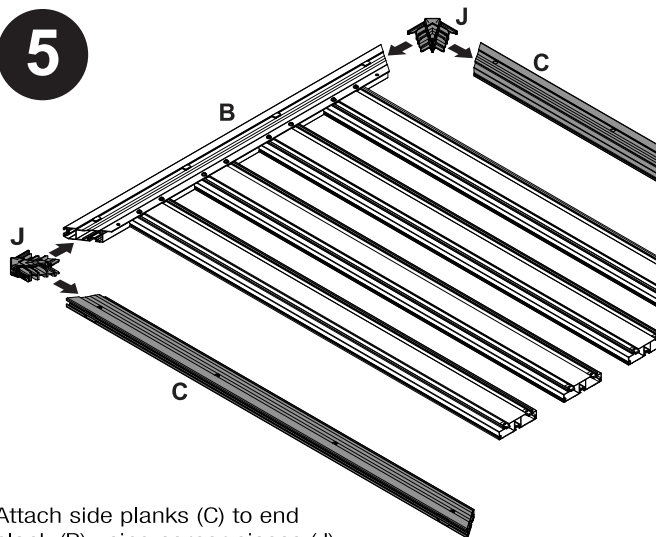
4



Place end plank (B) upside down over ends of inner planks (A).

Loosely fix end plank (B) to inner planks (A) using screws (E) and washers (F)

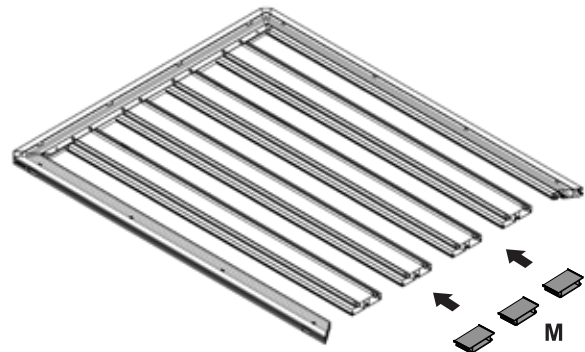
5



Attach side planks (C) to end plank (B) using corner pieces (J)

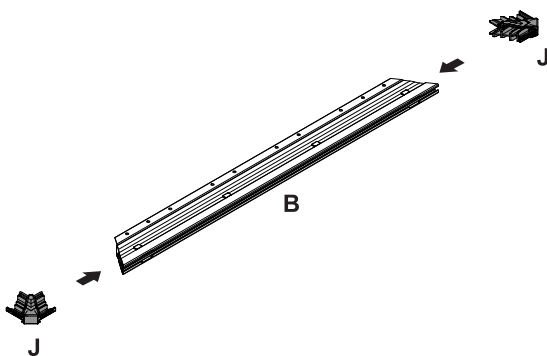
6

**i** Are you using a low mount fitment?  
If no, skip this step.



Insert the interconnecting blocks (M) between the inner planks as pictured.

7



Attach remaining end plank (B) to remaining corner pieces (J) and set aside to step 9/11

**i**

Follow the steps for either standard mount (steps 8 and 9) or narrow crossbar mount (steps 10 and 11) based on the measurements you made in step 2.

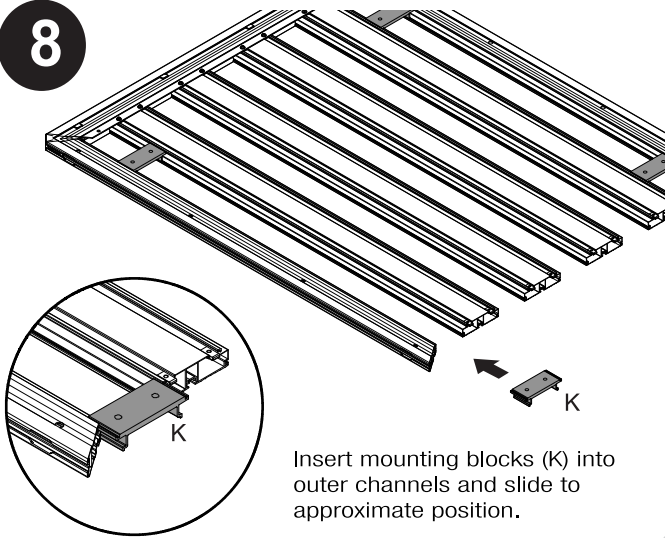


## STAGE 2

### BUILD YOUR FLAT TRAY

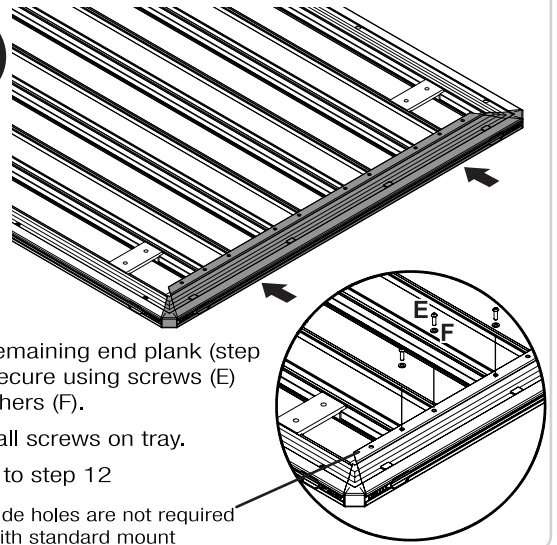
#### STANDARD MOUNT - steps 8 and 9

8



Insert mounting blocks (K) into outer channels and slide to approximate position.

9



Attach remaining end plank (step 7) and secure using screws (E) and washers (F).

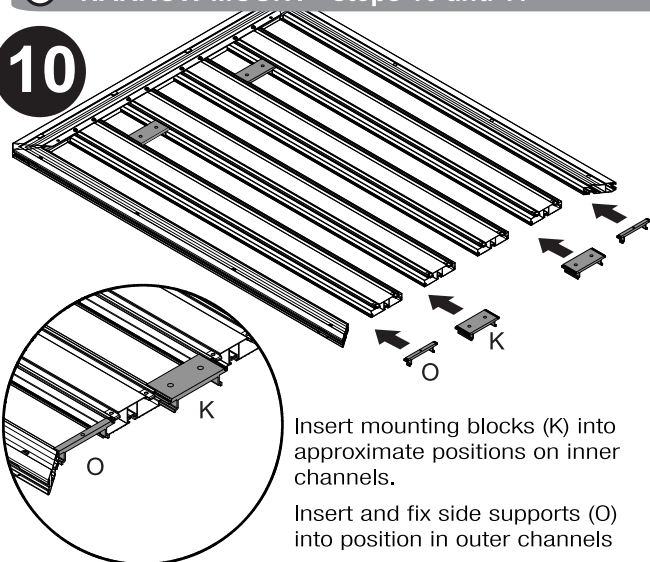
Tighten all screws on tray.

Proceed to step 12

Side holes are not required with standard mount

#### NARROW MOUNT - steps 10 and 11

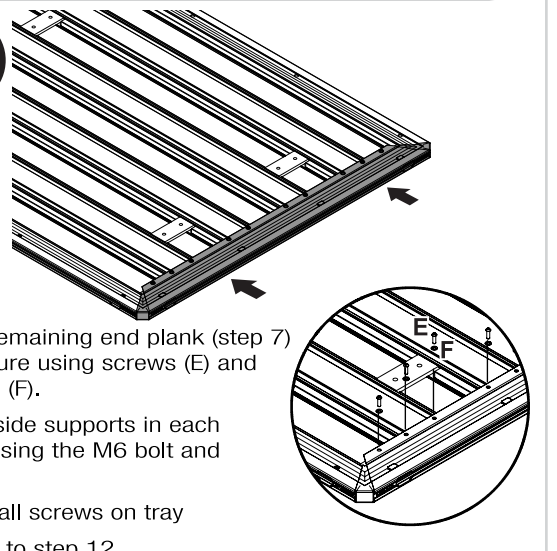
10



Insert mounting blocks (K) into approximate positions on inner channels.

Insert and fix side supports (O) into position in outer channels

11



Attach remaining end plank (step 7) and secure using screws (E) and washers (F).

Secure side supports in each corner using the M6 bolt and washer

Tighten all screws on tray

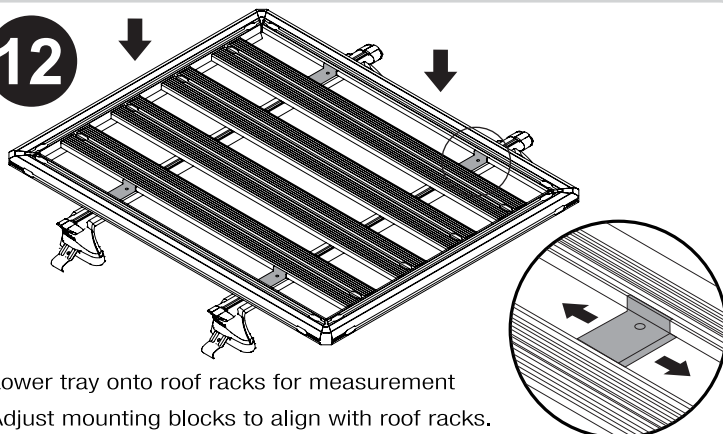
Proceed to step 12

## STAGE 3

### FIT YOUR FLAT TRAY

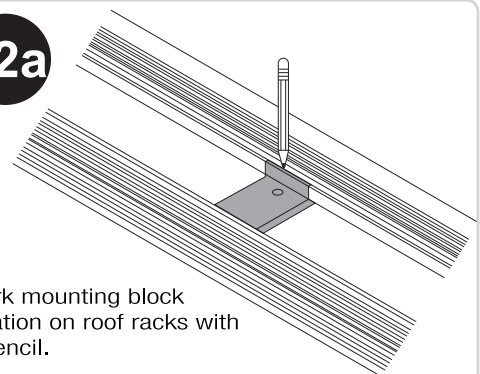
#### For Low Mount fitment, refer to Low Mount fitting instructions

12



Lower tray onto roof racks for measurement  
Adjust mounting blocks to align with roof racks.

12a



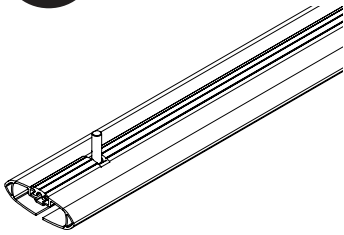
Mark mounting block location on roof racks with a pencil.

Remove tray

Note: Either mounting block hole can be used

# STAGE 3 FIT YOUR FLAT TRAY

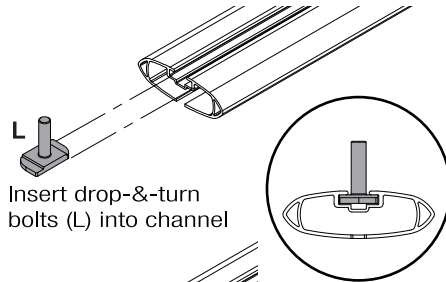
13



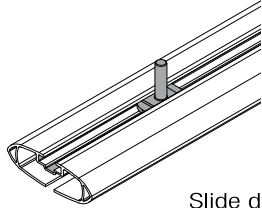
Cut a 10mm gap in the buffer strip at the pencil mark made in step 12a.

Only applicable if you have roof racks with buffer strips

Sports Channel (narrow opening)

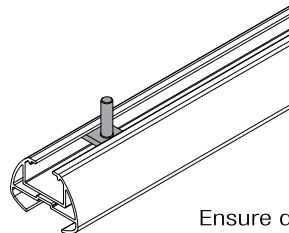
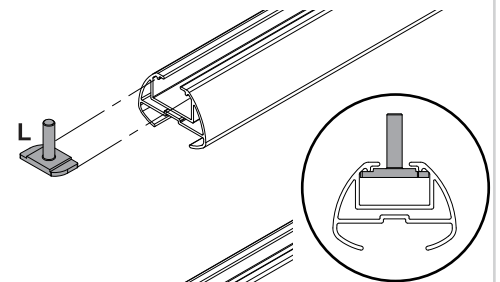


Insert drop-&-turn bolts (L) into channel



Slide drop-&-turn bolts (L) to line up with pencil marks made in step 12a.

Heavy Duty Channel (wide opening)



Ensure drop-&-turn bolt is aligned correctly to clamp the crossbar as shown.

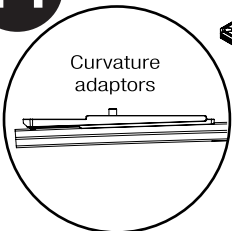
i

Are your crossbars curved?

Curved crossbars require curvature adaptors to create a flat platform to mount the tray (P/N 25-0313 - sold separately).

For flat crossbars, skip this step.

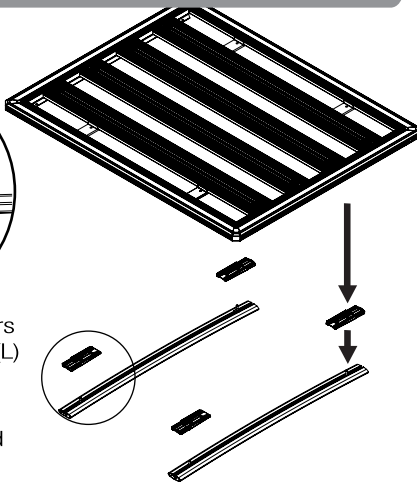
14



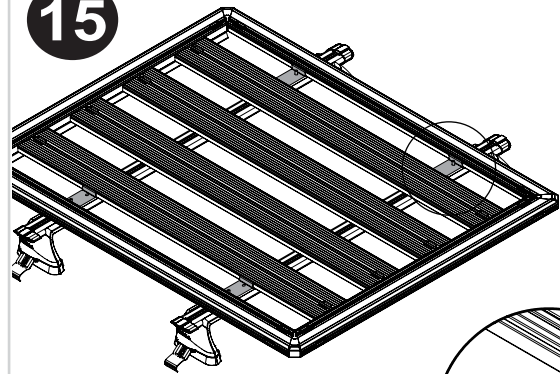
Curvature adaptors

Place curvature adaptors over drop-&-turn bolts (L) between roof racks and tray.

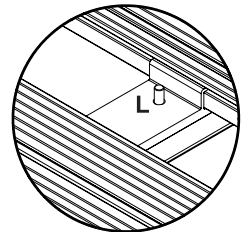
Curvature adaptors sold separately.



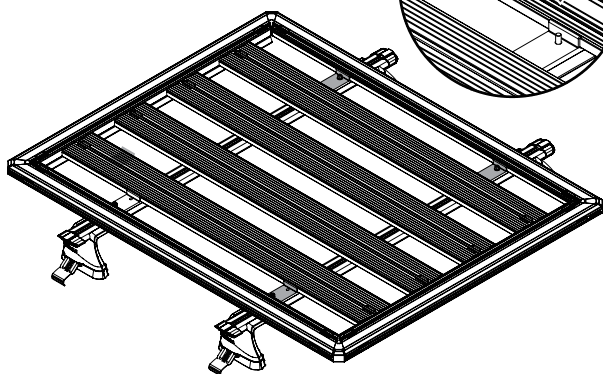
15



Place flat tray on racks, aligning holes in mounting blocks over bolt ends.



16



Attach fasteners (G,I,H) and tighten.

# CARE FOR YOUR TRAY

## WARNING & CARE INSTRUCTIONS

**TITAN**  
**TRAY**  
BY ROLA



### IMPORTANT

#### PLEASE READ THOROUGHLY BEFORE USE.

Please ensure the Flat Tray is fitted in accordance with the fitting instructions. It is important that you observe all recommendations outlined below.

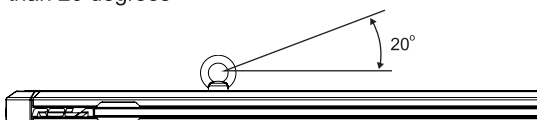
- Routinely and regularly check the proper functioning of the Titan Tray and Accessories, and tighten all screws, bolts, nuts, connections and straps. Immediately replace any worn or damaged components
- Remove Tray and Roof Racks before entering an automatic car wash
- Store fitting instructions in the glove compartment of your vehicle
- Maximum load carrying capacity for the Titan Tray is 300kg under static loading conditions
- Ensure the load is evenly distributed across planks

#### Actual load carrying capacity will be restricted by:

- Load carrying capacity of your vehicle (refer to owner's manual) Actual load on vehicle = Roof Rack weight + Tray weight + Cargo
- Load carrying capacity of your Roof Racks (refer product specifications) Actual load on Roof Racks = Tray weight + Cargo
- Handling characteristics of the vehicle change when traveling with a load on the roof. Exercise extreme care when transporting larger wind resisting loads. Safe braking distance and negotiating corners should be given special attention
- Safety weight reduction of 1.5 should be observed from the total carrying capacity (eg. 60kg/1.5 becomes 40kg) when used in off-road conditions
- Avoid using tie down attachments within 40mm of the entrance of the accessory channel (see figure below)



- When using straps to secure load, it is recommended that strap angle should be greater than 20 degrees (see figure below). Avoid excessive strap loading, if the angle is less than 20 degrees



## ROLA TITAN TRAY

### 5 YEAR WARRANTY

#### TRAY PART NUMBERS: TFT1212, TFT1512, TFT1812, TFT2014

Rola warrants that, subject to the exclusions and limitations below, the Titan Tray will be free from defects in materials and workmanship for a period of 5 years commencing on the date of sale by the authorised Rola stockist to the original purchaser of the entire Titan Tray.

If a defect appears in the Titan Tray before the end of the warranty period and Rola finds the Titan Tray to be defective in materials or workmanship, Rola will, in its sole discretion, either:

1. Repair the Titan Tray or the defective component of the Titan Tray free of charge;
2. Replace the Titan Tray or the defective component of the Titan Tray; or
3. Refund the purchase price of the Titan Tray to the original purchaser. Rola reserves the right to change the design, specifications or composition of the Titan Tray without notice and without liability.

Rola reserves the right to replace defective products or components with products or components of similar quality, grade and composition, where an identical product or component is not available. Goods presented for repair may be replaced by refurbished goods of the same type rather than being repaired. Refurbished parts may be used to repair the goods.

#### The 5 year warranty does not apply where:

1. The Titan Tray is not installed in compliance with the fitting instructions provided;
2. The Titan Tray is not used as intended or designed;
3. Any part of the Titan Tray is used with other products or components not intended to be used in conjunction with the Titan Tray system;
4. The Titan Tray has been on-sold or assigned by the original purchaser;
5. The Titan Tray has been modified or repaired by someone other than Rola or an authorised Rola stockist;
6. Rola cannot establish any fault in the Titan Tray after testing;
7. The Titan Tray has been subject to abnormal conditions, including fire, water, humidity, pressure, stress or similar;
8. The defect in the Titan Tray has arisen due to abuse, misuse, neglect or accident;
9. The defect in the Titan Tray has arisen due to the unlawful or unusual operation of the vehicle to which it is fitted;
10. The defect in the Titan Tray has arisen due to the purchaser's failure to properly assemble, install, fit, maintain or use the Titan Tray in accordance with the specifications and instructions provided by Rola.

For safety and use instructions, please refer to any General or Specific Fitting Instructions and Warning & Care Instructions enclosed within the Titan Tray or on our website at [www.rola.com.au](http://www.rola.com.au).

This warranty does not extend to fair wear and tear. Warranty claims can be made by contacting Rola directly using the details below. A warranty claim must be accompanied by proof of purchase (such as receipt), details of the alleged defect and appropriate documentation (such as historical and maintenance records where appropriate). The customer must make the product available to Rola or its authorised repair agent for inspection and testing. If such inspection and testing finds no defect in the product, the customer must pay Rola usual costs of service work and testing. It is the purchaser's responsibility to arrange and pay to return the product or component to the place of purchase. The purchaser may seek reimbursement from Rola for the cost of such activities, providing Rola notifies the purchaser in writing that a warranty claim is justified. Any such claims made must be in writing via post or email. The benefits of this warranty are in addition to any rights and remedies imposed by Australian State and Federal legislation that cannot be executed. Nothing in this warranty is to be interpreted as excluding, restricting or modifying any State or Federal legislation applicable to the supply of goods and services which can not be so excluded, restricted or modified. Our goods come with guarantees that cannot be excluded under the Australian Consumer Law. You are entitled to a replacement or refund for a major failure and for compensation for any other reasonably foreseeable loss or damage. You are also entitled to have the goods repaired or replaced if the goods fail to be of acceptable quality and the failure does not amount to a major failure. Rola makes no express warranties or representations other than set out in this warranty.

**The repair or replacement of Rola Titan Trays or part thereof, or a refund of the purchase price of the Rola Titan Tray, is the absolute limit of Rola liability under this express warranty.**



Please refer to [www.titantray.com](http://www.titantray.com) for fitting instruction revision updates

Rola®

49 Pacific Drive, Keysborough, VIC, 3173

AUS: 1800 812 017

NZ: 0800 698 227

[www.titantray.com](http://www.titantray.com)

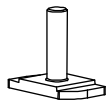
[www.rola.com.au](http://www.rola.com.au)



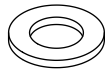
# LOW MOUNT OPEN RAIL

LRS-FI  
Revision C, March 2020

## PACK CONTENTS & FITTING INSTRUCTIONS



**M8 DROP-&-TURN BOLT (22-0924)**  
x4



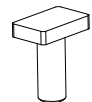
**M8 FLAT WASHER (22-0195)**  
x12



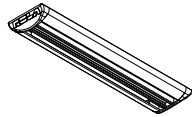
**M8 SPRING WASHER (22-0162)**  
x12



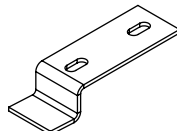
**M8 HEX NUT (22-0139)**  
x12



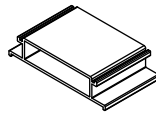
**M8 T BOLT 22-0961**  
x8



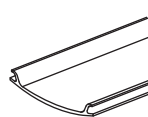
**LOW MOUNT WITH END CAPS**  
x4 (25-0310 - 2 pack)  
Each Low Mount contains two end caps



**RAIL STRAP**  
x4



**INTERCONNECTING BLOCK (25-0312)**  
x3 for TFT1212, TFT1512 & TFT1812  
x4 for TFT2014



**UNDER-COVER STRIP (32-0050)**  
x2



**RUBBER PAD (30-0030)**  
x4

**NOTE:** Fasteners supplied with Titan Tray are required for this fitment.

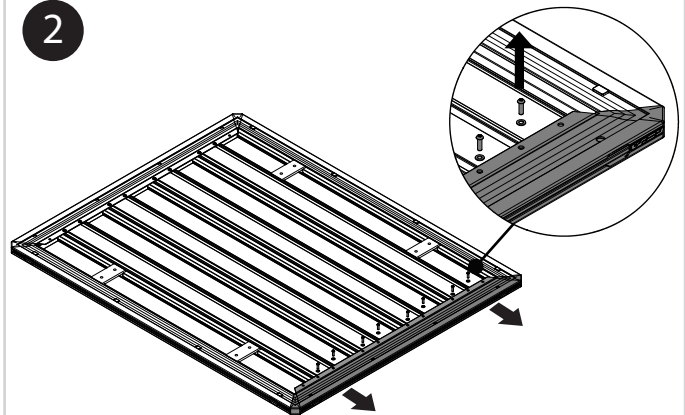
1

Read instructions thoroughly before commencing installation.

Refer to Titan Tray instructions for tray assembly.

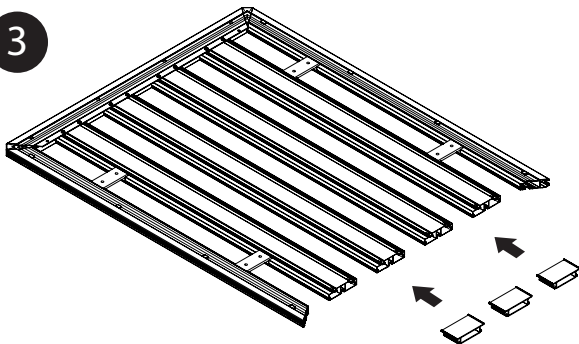
Skip to Step 5 on the following page if you have already inserted the interconnecting blocks.

2



Place tray upside down. Remove fasteners on one side and remove the end plank.

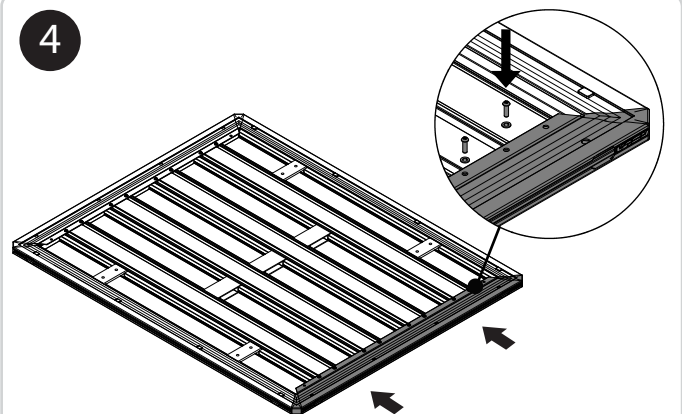
3



**For TFT1212, TFT1512 & TFT1812:**  
Insert the three interconnecting blocks between the four centre planks.  
Position interconnecting blocks in the centre of the tray.

**For TFT2014:**  
Insert the four interconnecting blocks between the five centre planks.  
Position interconnecting blocks in the centre of the tray.

4

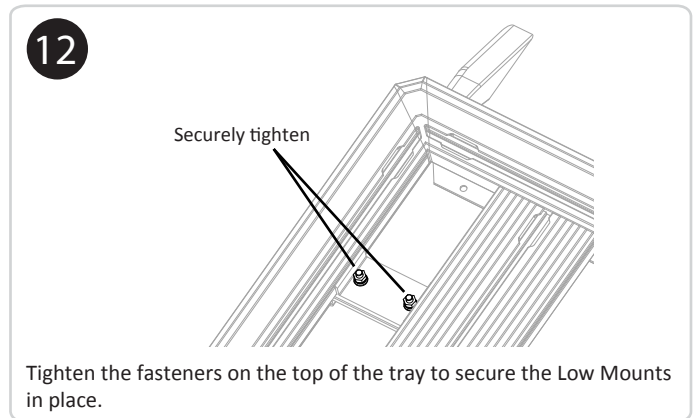
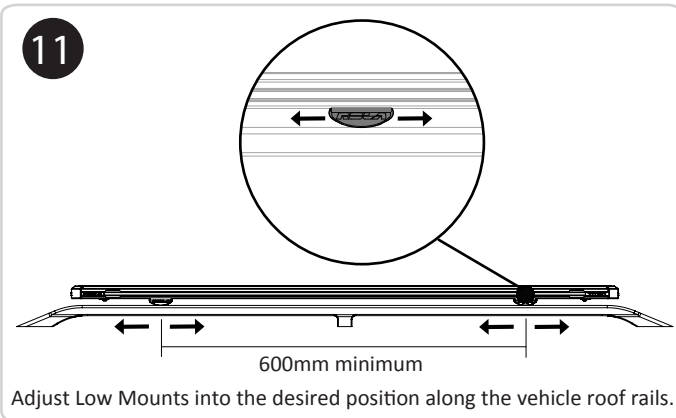
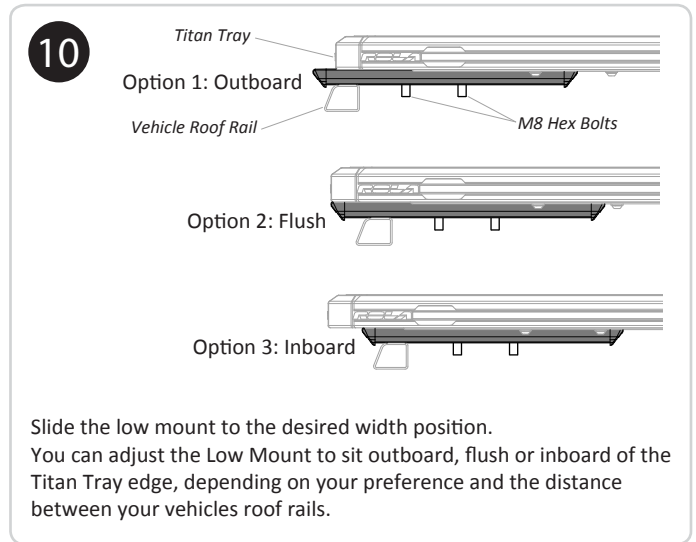
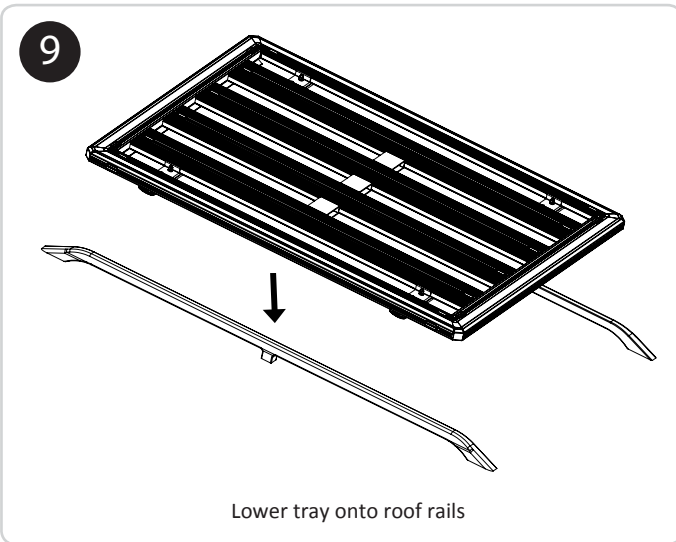
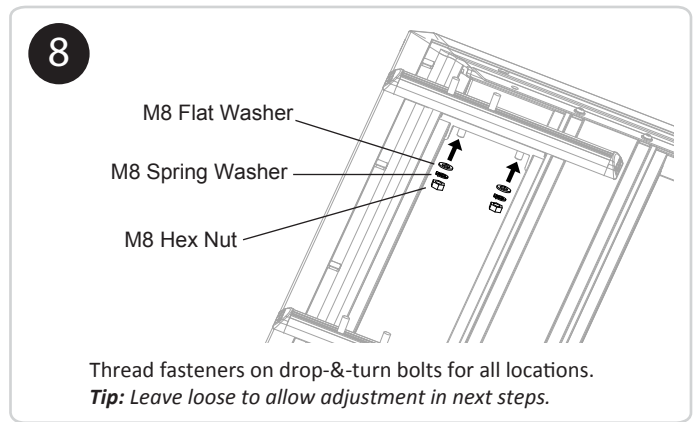
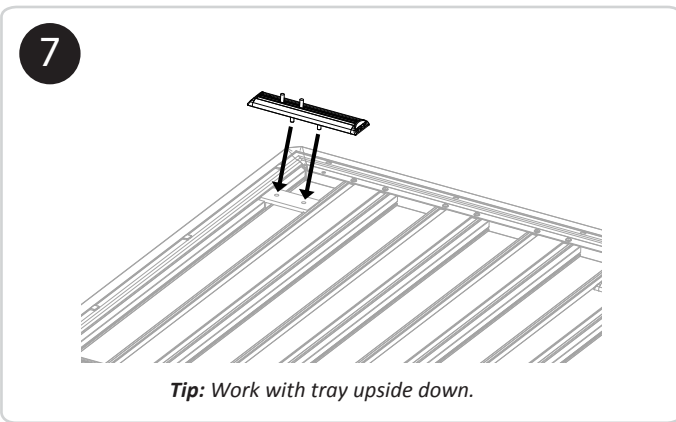
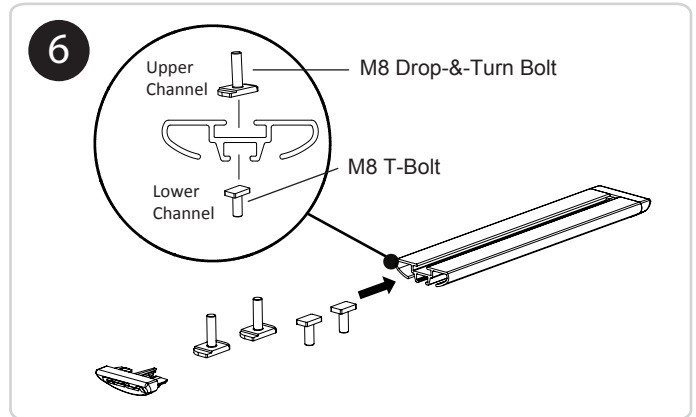
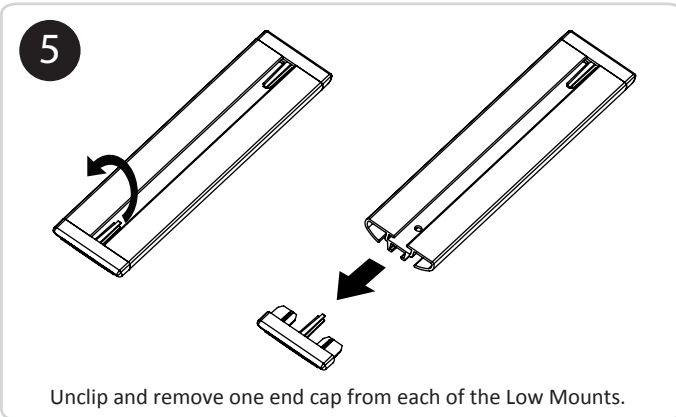


Re-install the end plank and fasteners.  
Tighten fasteners securely.



# LOW MOUNT OPEN RAIL

## FITTING INSTRUCTIONS CONTINUED

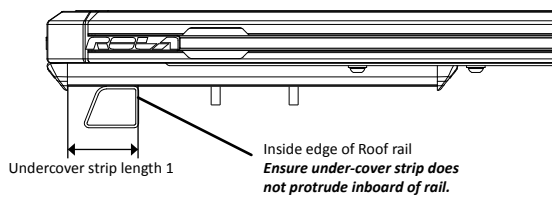


# LOW MOUNT OPEN RAIL

## FITTING INSTRUCTIONS CONTINUED



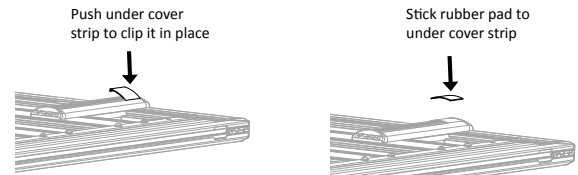
13



Cut the under-cover strip to the required lengths for each Low Mount.

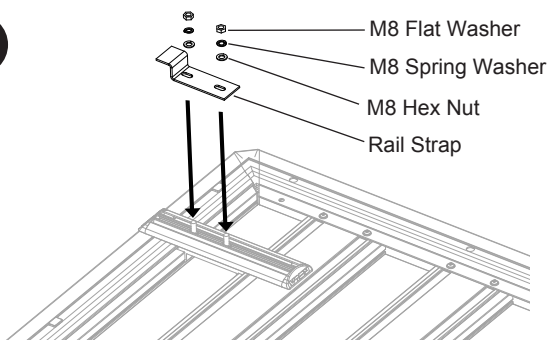
**Tip:** Measure the distance between the inside of the rail and the end cap while the tray is in the desired location on the vehicle roof rails.

14



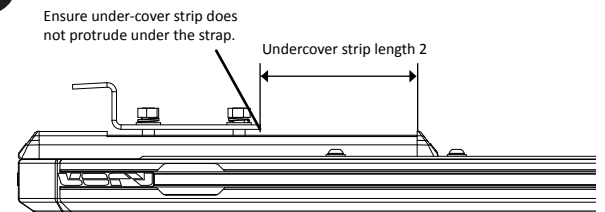
**Tip:** Remove the tray and work with tray upside down.

15



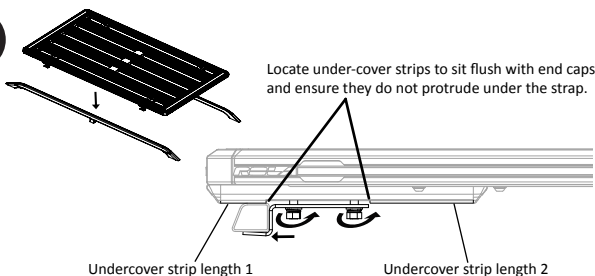
Thread fasteners on M8 Hex bolts for all locations.  
**Tip:** Leave loose to allow adjustment in next steps.

16



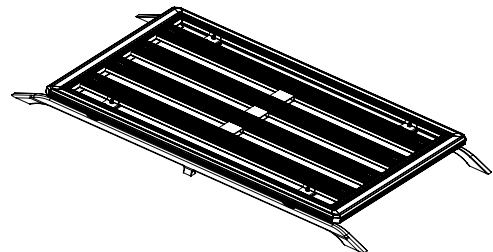
While the tray is upside down, cut and insert under-cover strip lengths for the inner side of each Low Mount.

17



Place tray on roof rails and slide the rail straps in place under the vehicle roof rail.  
**Securely tighten the fasteners to clamp the rails with the rail straps.** Insert undercover strip length 2.

18



Tighten all remaining loose fasteners and check all fasteners are secure.

**Your low mounted tray is now complete.**

### USAGE INSTRUCTIONS

It is essential for the proper assembly, operation and use of the roof-rack that the instructions and safety precautions supplied are strictly observed. The maximum permissible load for your roof rack or tray is the lower of the maximum load capacity specified in your vehicle operation manual, or specified as applying to the roof-rack or tray. Do not exceed the maximum specified load capacity.

Maximum permissible load = weight of the roof-rack and tray + weight of accessories + weight of cargo load.

When fitting the roof-rack and transporting a load, ensure the vehicle's functions are not impaired (e.g. sunroof, aerials, windscreen wipers, mirrors). Hatch and wagon vehicles should be inspected for adequate clearance for full opening operation of the boot/tailgate.

Stop and check all screw connections, bolts and retaining straps after a short distance of travel. Repeat these checks at regular intervals.

### WARNINGS

Remember that the fitting of a roof-rack and the transport of a load increases the overall height of the carrying vehicle.

Where the roof-rack is to be used in off-road conditions, a safety weight reduction of 1.5 should be observed from the total carrying capacity (e.g. 60kg becomes 40kg).

Cequent will not be liable to the purchaser or any other person for any consequential, direct or indirect loss, damage or costs incurred or suffered by the purchaser or any other person including but not limited to damage to persons or property, loss of turnover, loss of profits, loss of business or goodwill arising from or in relation to the assembly or use of the roof-rack, or the non-observance of the fitting and care instructions.