



FITTING INSTRUCTIONS
D-MAX D-CAB LS-U LS-M LS-T 06/12-ON
TITAN LOW MOUNT ANCHOR POINT
PART NUMBER: **LAPEX012-2**



ISSUE: C
ISSUE RELEASE DATE: 06/03/2020

2. KIT CONTENTS

x4	x2	x4	x4	x8
END SUPPORT (MSES017 - 2 Pack)	UNDER-COVER STRIP	M8 DROP-&-TURN BOLT (22-0924)	FLAT WASHER (22-0186)	M8 SPRING WASHER (22-0162)
x8	x4	x4	x4	x1
M8 HEX NUT (22-0139)	M8 T BOLT (22-0961)	M8 x 70 STAR BOLT (22-0354)	M8 FLAT WASHER (22-0195)	5MM RED HANDLE SECURITY KEY (22-0170)
x4		x4		
PLASTIC ADAPTOR BLOCK (27-0717)		RUBBER ADAPTOR GASKET (122296)		
x4		x3		
LOW MOUNT WITH END CAPS (25-0310 - 2 pack) <i>Each Low Mount contains two end caps</i>		INTERLOCKING BLOCK (19-0061)		

Prior to assembly, check that your roof rack kit contains all the parts as listed above.

Ensure the vehicle roof is clean and dry.

3. TOOLS AND MATERIALS REQUIRED

Cutting Knife - Use to open Kits, and trim Buffer Strip to size.	Measuring Rule - Use to check dimensions and distances of cross-bars.	Cleaning/protective Cloth - Use to wipe down vehicle, and use to protect vehicle paint.	Marking Pencil - Use to mark buffer strip.	12mm & 13mm Spanner - Assemble Low Mounts.

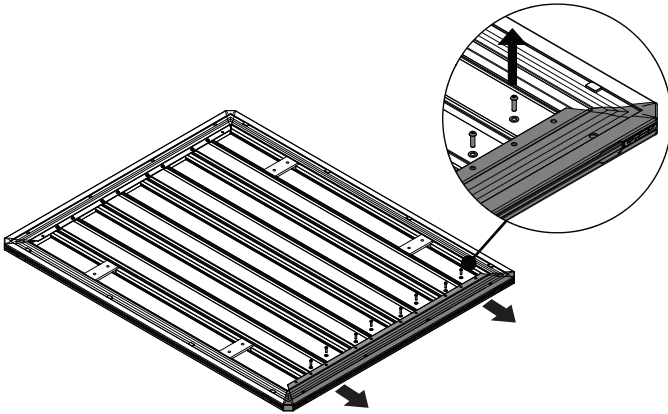
4. INSTALLATION STEPS

STEP 1

Note: Refer to Titan Tray instructions for tray assembly.

Skip to Step 4 on the following page if you have already inserted the interlocking blocks.

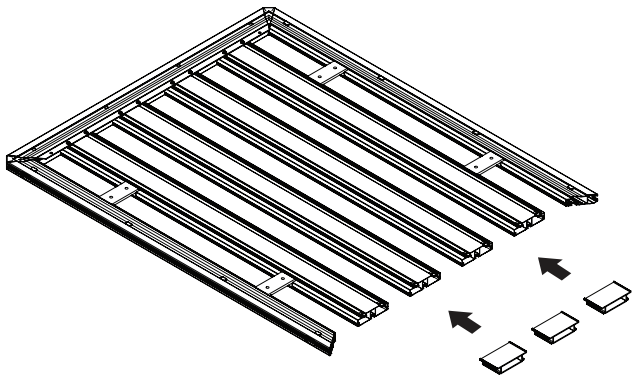
Place tray upside down.
Remove fasteners on one side and remove the end plank.



STEP 2

For TFT1212, TFT1512 & TFT1812:
Insert the three interlocking blocks between the four centre planks.

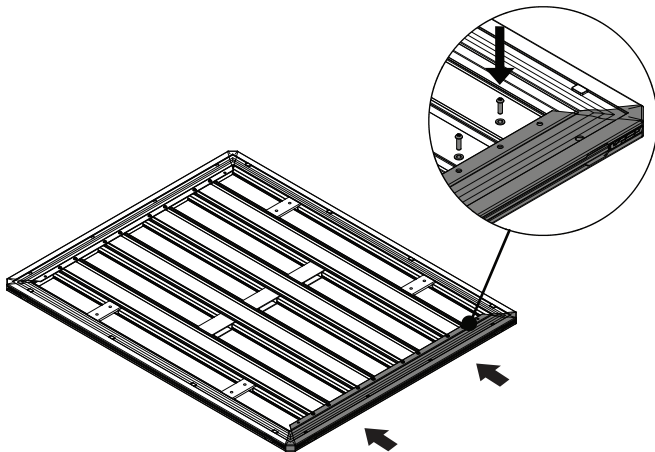
For TFT2014:
Insert the four interlocking blocks between the five centre planks.

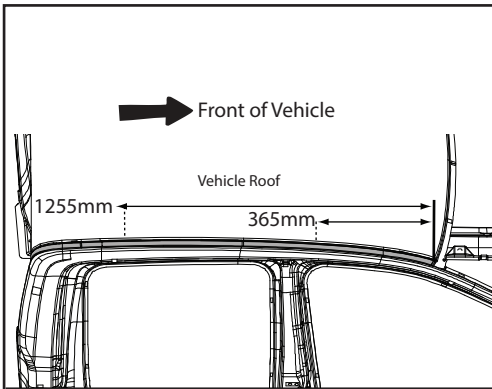


STEP 3

Re-install the end plank and fasteners.

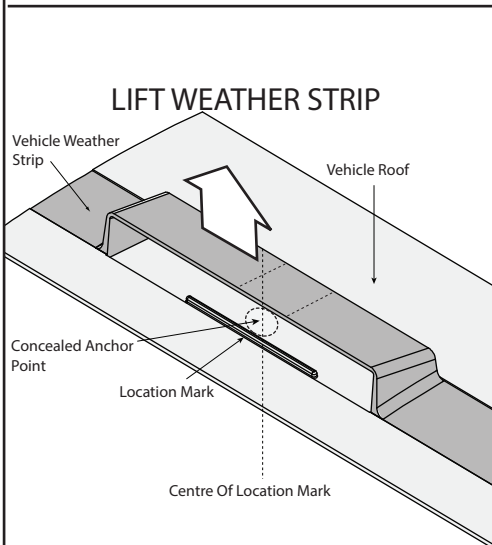
Tighten fasteners securely.





STEP 4

On the vehicle roof there are 4 concealed Anchor Points hidden by the vehicles weather strips. The two locations are indicated by the distances . Measure the approximate distances from the start of the weather strip.



STEP 5

Carefully lift the weather strip to reveal location marks. Using these locations, mark the centre of the location mark on the weather strip. This centre line is the location of the anchor point in the vehicle roof.

NOTE: For single bar fitment use either front or rear anchor points.

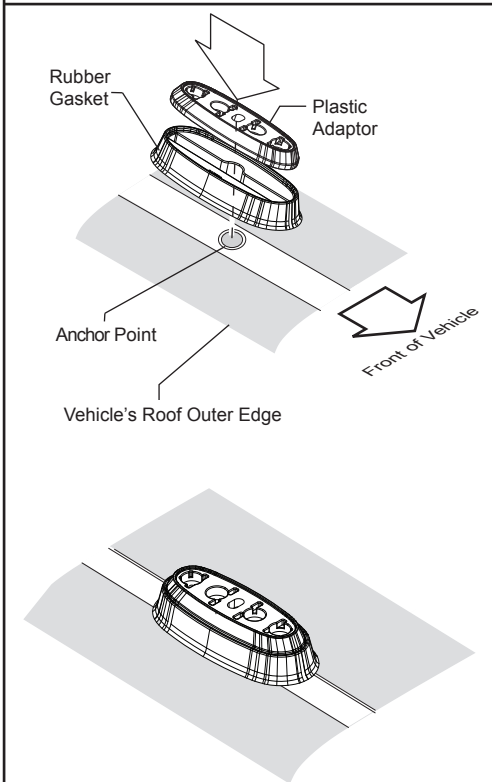
NOTE: The anchor point is concealed from view by a sealant.

NOTE: Take care when lifting vehicle weather strip to avoid damaging the roof of the vehicle.

Either cut a small 20mm section OR drill the weather strip in the marked location to expose the anchor point. Drill using a 13mm drill bit.

NOTE: If using a drill, ensure a drill stop is used to avoid damage to vehicle roof

To reveal anchor point, remove covering sealant with sharp tool. It is recommended that once covering sealant is removed, thread each anchor point with M8 bolt supplied to ensure a clean thread.



STEP 6

Select an Anchor Point from STEP 4 and with one of the supplied Rubber Gaskets place them over the top of the anchor point.

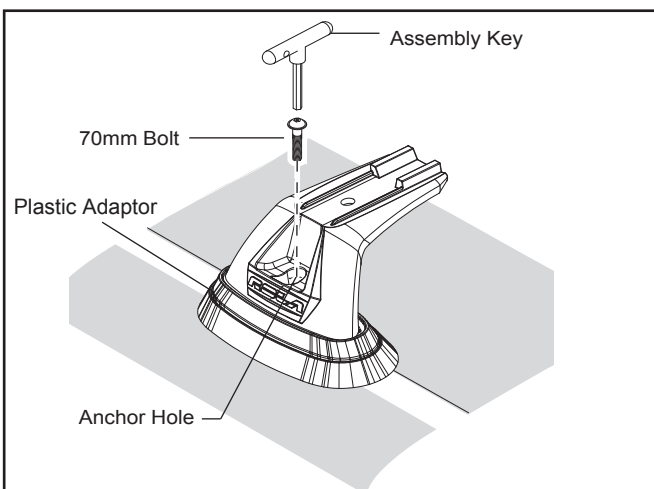
NOTE: Ensure the Rubber Gasket is oriented correctly, (part number to outer edge of vehicle).

NOTE: Ensure that the center hole in the gasket lines up with the anchor point thread in the roof.

Locate the Plastic Multi Pad onto the Rubber Gasket

NOTE: Ensure that the center hole in the Multi Pad lines up with the anchor point thread in the roof.

Repeat for all remaining Adaptors.

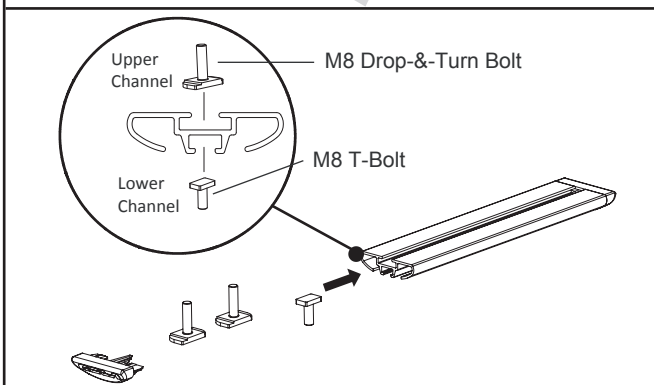
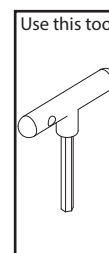


STEP 7

Place an end support onto the plastic adaptor and loosely secure it down with a 70mm bolt by inserting the bolt into the anchor hole, and turning approximately 2-3 turns with the security key.

Tip: Leave loose until last step to allow final adjustment.

Repeat for all locations.

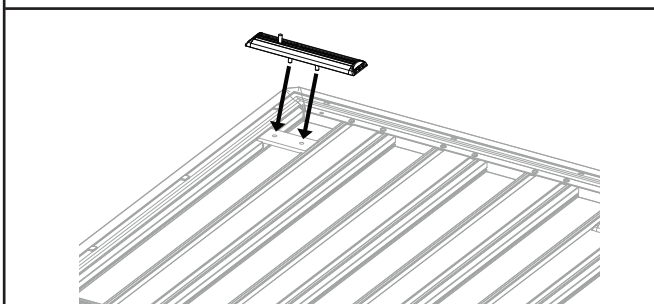


STEP 8

Remove the end cap from one side of the Low Mounts and insert fasteners:

- 2 x M8 Drop-&-Turn bolt
- 1 x M8 T bolt

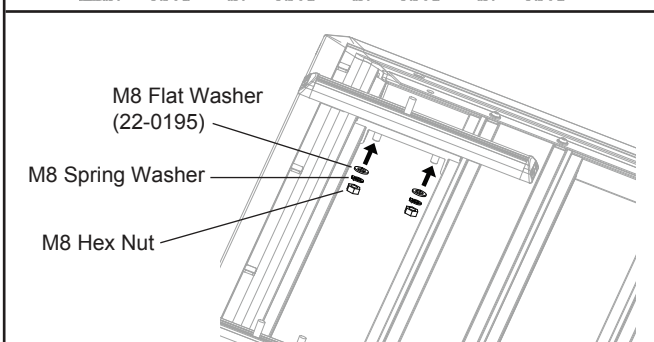
Note: Use Drop-&-Turn bolts supplied with Titan Tray in addition to those supplied with this kit.



STEP 9

Position Low Mounts so the M8 Drop-&-Turn bolts are inserted into the tray mounting blocks.

Tip: Work with tray upside down.

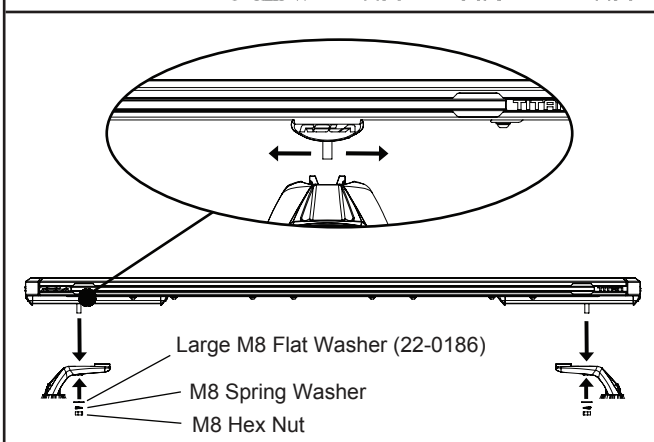


STEP 10

Thread fasteners on drop-&-turn bolts for all locations.

Tip: Leave loose until last step to allow final adjustment.

Note: Use M8 spring washer, flat washer and hex nut supplied with Titan Tray in addition to those supplied with this kit.



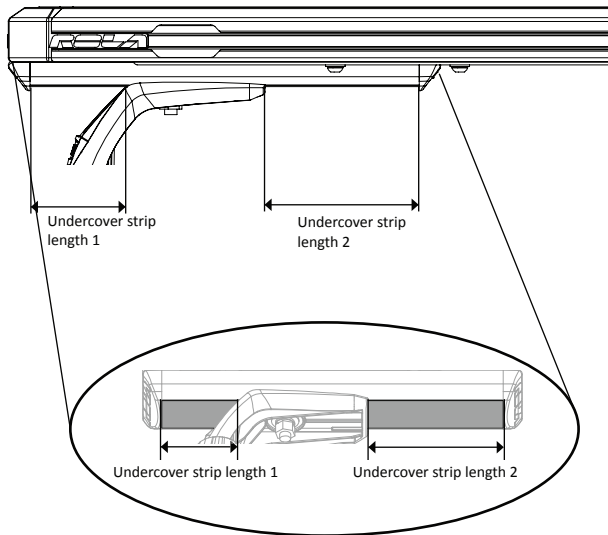
STEP 11

Lift tray above vehicle and slide Low Mounts and Mounting Blocks to line up with end supports.

Lower Titan Tray on to the end supports and ensure tray is centred in the desired location.

Thread the fasteners in place.

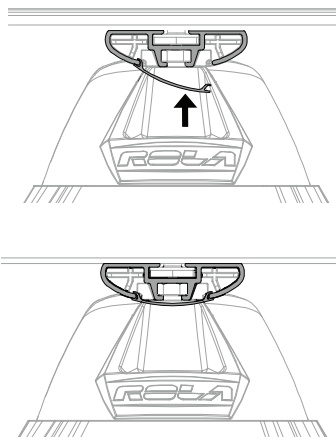
Tip: Leave loose until last step to allow final adjustment.



STEP 12

Measure and cut the undercover strip to suit all locations.

Tip: Front and rear lengths may differ in size.



STEP 13

Insert the undercover strip lengths into each Low Mount.



STEP 14

Tighten all fasteners securely.

Your fitment is complete.

USAGE INSTRUCTIONS

It is essential for the proper assembly, operation and use of the Roof-rack that the instructions and safety precautions supplied are strictly observed. The Maximum permissible load for your Roof Bar is the lower of the maximum load capacity specified in you vehicle operation manual, or specified as applying to the Roof-rack. Do not exceed the maximum specified Load capacity.

Maximum Permissible Load = Weight of the Roof-rack + Weight of Accessories + Weight of Load(Cargo).

When fitting the Roof-rack and transporting a load, ensure the vehicle's functions are not impaired (eg. sunroof, aerials, windscreen wipers, mirrors).

Hatch and wagon vehicles should be inspected for adequate clearance for full opening operation of the boot/tailgate.

Stop and check all screw connections, bolts and retaining straps after a short distance of travel. Repeat these checks at regular intervals.

WARNINGS

Remember that the fitting of a Roof-rack and the transport of a load increases the overall height of the carrying vehicle.

Where the roof-rack is to be used in off-road conditions, a safety weight reduction of 1.5 should be observed from the total carrying capacity (eg. 60kg becomes 40kg).

Cequent will not be liable to the purchaser or any other person for any concequential, direct or indirect loss, damage or costs incurred or suffered by the purchaser or any other person including but not limited to damage to persons or property, loss of turnover, loss of profits, loss of business or goodwill arising from or in relation to the assembly and use of the Roof-rack, or the non-observance of the fitting and care instructions.