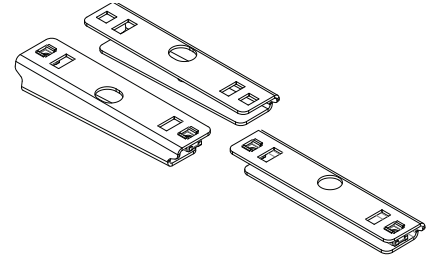




# 'Tradie Tuff' COMMERCIAL ROOF RACKS

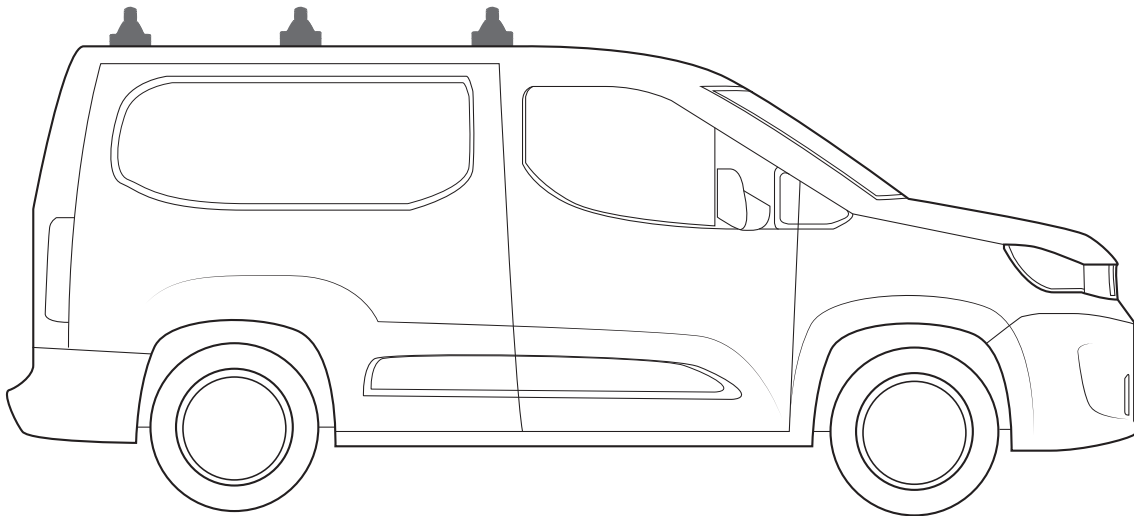
**PEURGEOT PARTNER, 08/2008 - ON**

**FIXED MOUNT**



PART NUMBER: VAS.RC1114, VAS.RA1114, VAS.RC1115, VAS.RA1115, VAS.RC1116, VAS.RA1116, VAS.RC1118,

VAS.RA1118, VAS.RC1119, VAS.RA1119, VAS.RC1120, VAS.RA1120.



**Note:**

- PLEASE READ INSTRUCTIONS AND CHECK CONTENT PRIOR TO INSTALLING.
- PLACE INSTRUCTIONS IN VEHICLES GLOVE COMPARTMENT AFTER INSTALLING.



3 Bar maximum capacity: 100kg

Tested to AS/NZS 1235-200 ADR standards

- Please check your vehicle's manual for vehicle load capacity (please do not exceed the lowest load rating) and please download and read our Load Rating guide which can be found on our website [vas.com.au](http://vas.com.au).
- Load rating is based on driving on sealed roads to road conditions and includes weight of roof rack system.

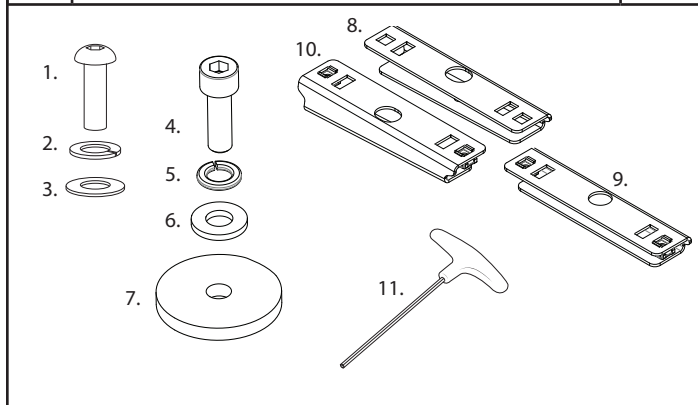
# Important information

- Complete maintenance checks weekly including bolt connections and tightness.
- Heavy loads carried near feet
- Overhanging loads should conform to relevant state laws
- Check tie down strap tension every 50klm as loads can shift
- Specialised equipment carriers such as ladder slides should be used
- Ensure your roof racks, ladder rails and or load does not inhibit the tailgate lifting on vehicles manufactured with these doors
- Check car park heights before entering
- Keep load under the maximum capacity
- Use non stretch fastening straps
- Remove roof racks prior to using an automatic car wash

**Note:** The handling characteristics of a vehicle will change when a carrier system is fitted. Driving technique such as speed reduction, cornering techniques and braking distances should be altered to allow for these changes.

## Kit Inclusions

Item	Part	3 Bar
1	M6 x 30mm Button Head Screw - F008	12
2	M6 Spring Washer - F012	12
3	M6 x 16mm Flat Washer - F011	12
4	M8 x 25mm Socket Screw - F048	6
5	M8 Spring Washer - F018	6
6	M8 x 17mm Flat Washer - F017	6
7	M8 x 42 x 5mm Spacer Washer - C154	6
8	Front Right/ Rear Left Bracket - C171	2
9	Middle Bracket - C170	2
10	Front Left/ Rear Right Bracket - C172	2
11	4mm Allen Tool - C028	1

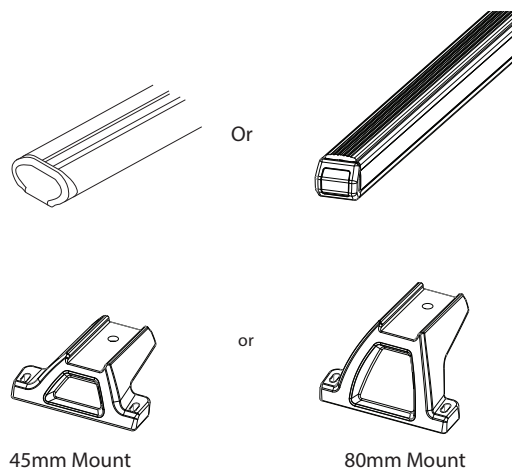


## Tools Required

- 1 - 4mm Allen Tool (provided).
- 2 - Butyl Mastic.
- 3 - 5mm Allen Key
- 4- 6mm Allen Key

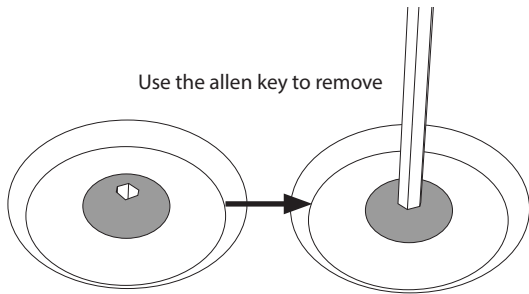
### Required kits (as separate):

- Crossbar x3 1370mm
- Crossbar Mount Kit x 3

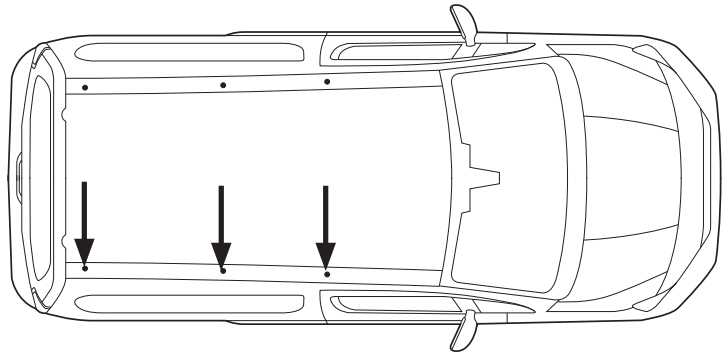


Step 1

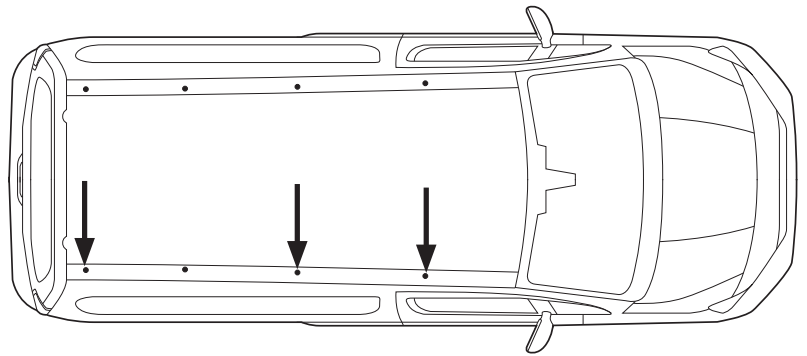
Identify the plastic factory mounts on the roof of the vehicle. Using a 5mm allen key, remove the threaded plugs from the mount points. Store in a safe place.



PARTNER

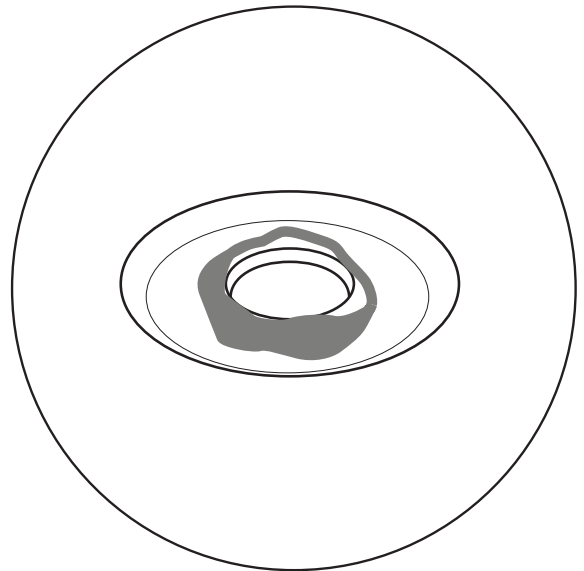
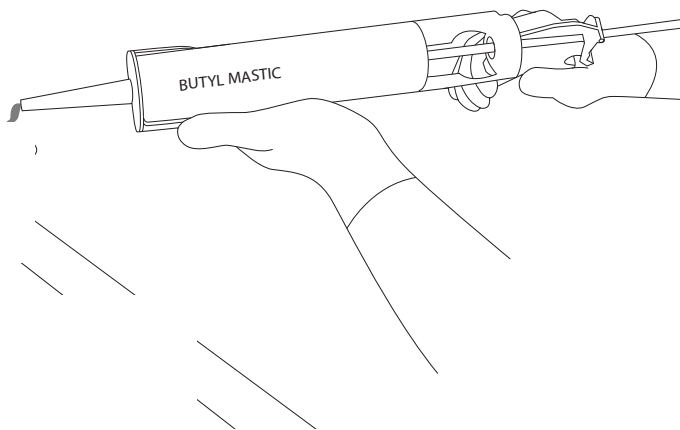


PARTNER LWB



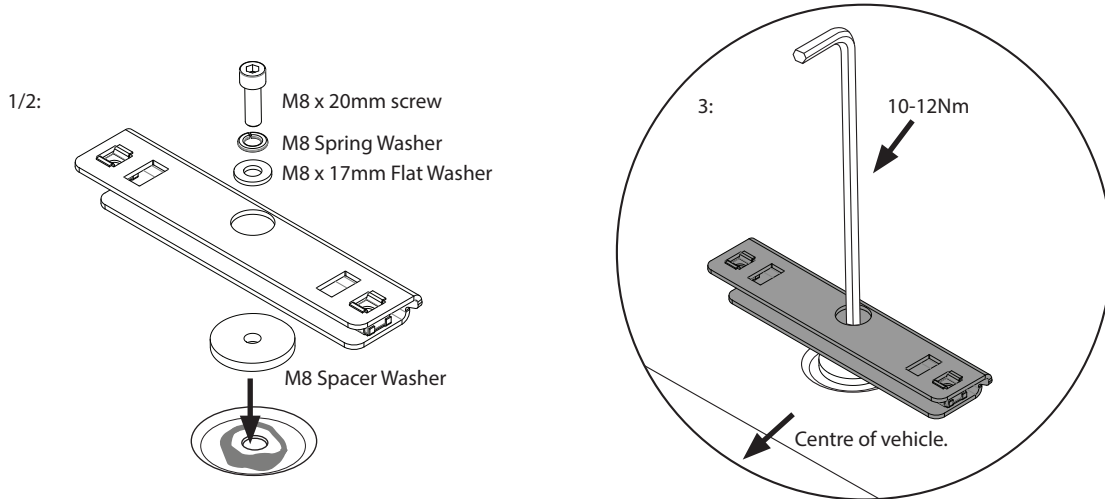
Step 2

Apply butyl mastic in and around the holes in the roof to ensure your roof remains water tight. A small amount inside the thread is advised.

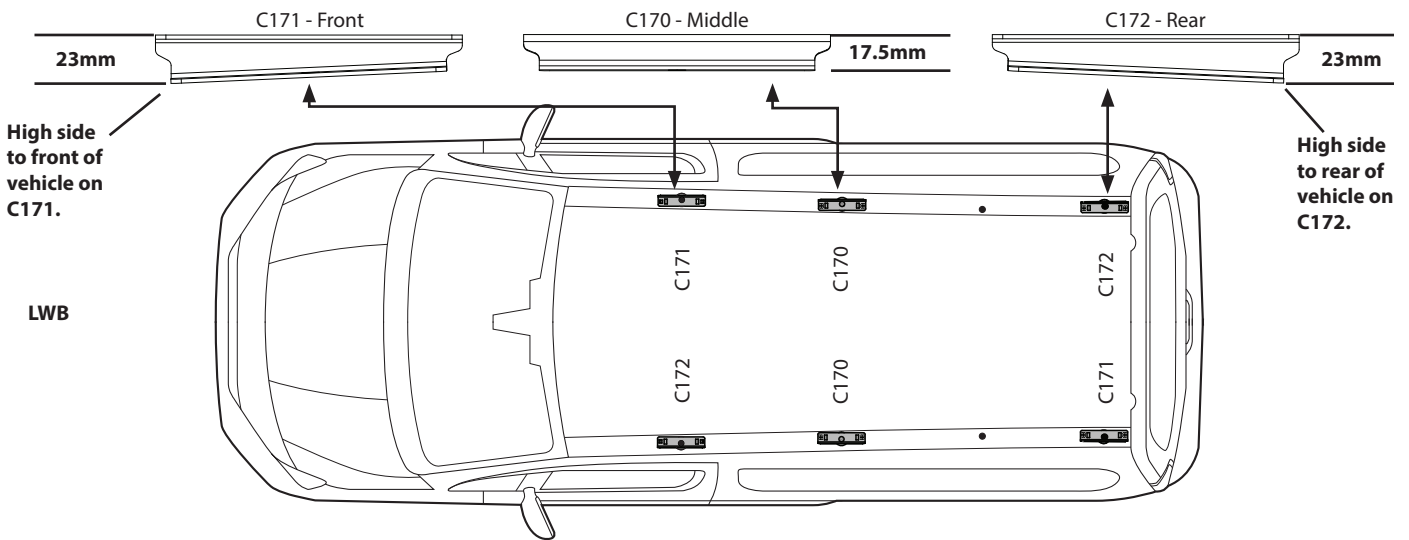


Step 3

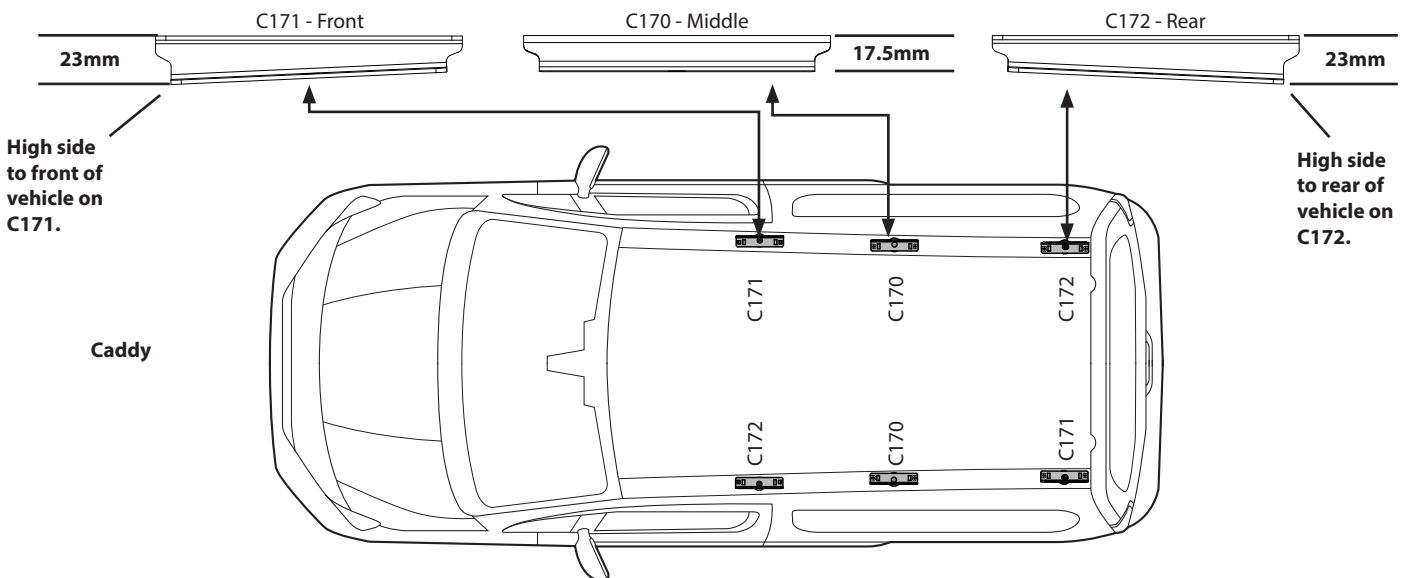
1 - Install the M8 hardware into each bracket. 2 - Place a spacer washer over the exposed mounting points in the roof and drop the bracket assembly on top. 3 - Tighten the assembly with an allen key. Note the location of each bracket as shown.



**ATTENTION:**  
Bracket orientation is critical.

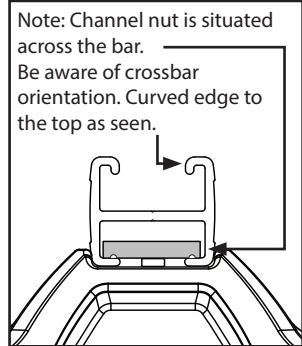
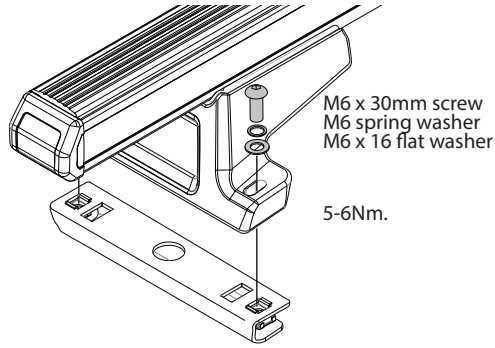


**ATTENTION:**  
Bracket orientation is critical.



Step 4

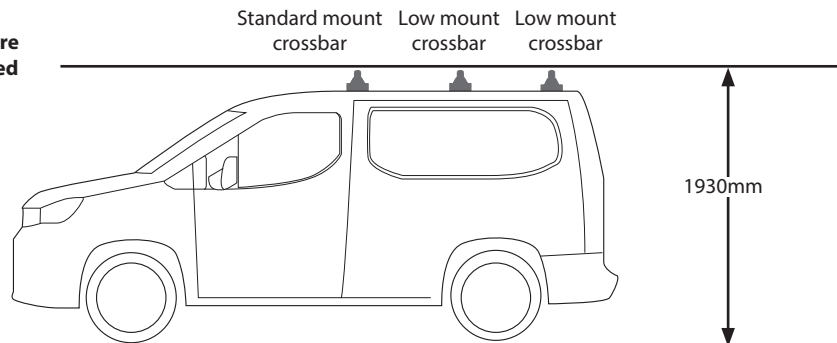
Complete crossbar mount kits as specified in their instructions. Place the crossbars onto the installed brackets in the roof. Fix in place with the M6 hardware provided and tighten with an allen key.



NOTE

**ATTENTION:** Thoroughly check all fasteners are secure before driving away. Heights are for standard unloaded vehicles. Always check your specific vehicles height.

PARTNER



PARTNER  
LWB

