

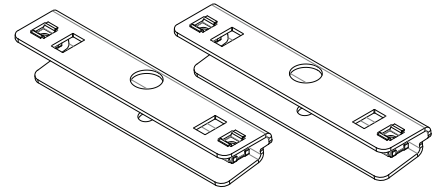


'Tradie Tuff'

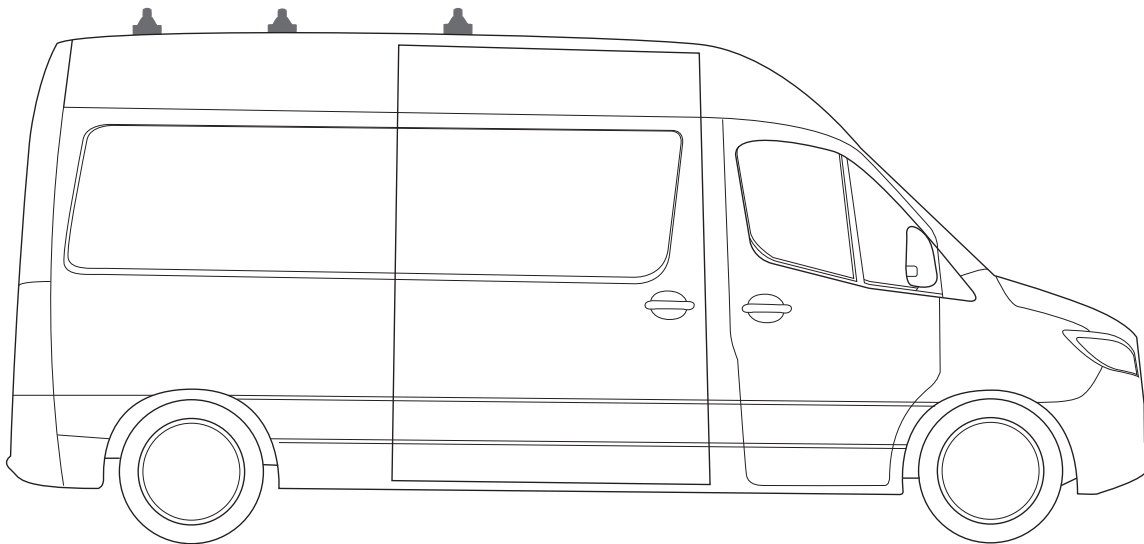
COMMERCIAL ROOF RACKS

MERCEDES SPRINTER, 2006 - ON

FIXED MOUNT



PART NUMBER: VAS.RC1131, VAS.RA1131, VAS.RC1024, VAS.RA1024, VAS.RC1132, VAS.RA1132, VAS.RC1022, VAS.RA1022, VAS.RC1133, VAS.RA1133, VAS.RC1035, VAS.RA1035, VAS.RC1134, VAS.RA1134, VAS.RC1033, VAS.RA1033, VAS.RC1135, VAS.RA1135, VAS.RC1028, VAS.RA1028, VAS.RC1136, VAS.RA1136, VAS.RC1026, VAS.RA1026, VAS.RC1137, VAS.RA1137, VAS.RC1021, VAS.RA1021, VAS.RC1138, VAS.RA1138, VAS.RC1041, VAS.RA1041, VAS.RC1086.



Note:

- PLEASE READ INSTRUCTIONS AND CHECK CONTENT PRIOR TO INSTALLING.
- PLACE INSTRUCTIONS IN VEHICLES GLOVE COMPARTMENT AFTER INSTALLING.



3 Bar maximum capacity: 100kg
4 Bar maximum capacity: 100kg
Tested to AS/NZS 1235-200 ADR standards

- Please check your vehicle's manual for vehicle load capacity (please do not exceed the lowest load rating) and please download and read our Load Rating guide which can be found on our website vas.com.au.
- Load rating is based on driving on sealed roads to road conditions and includes weight of roof rack system.

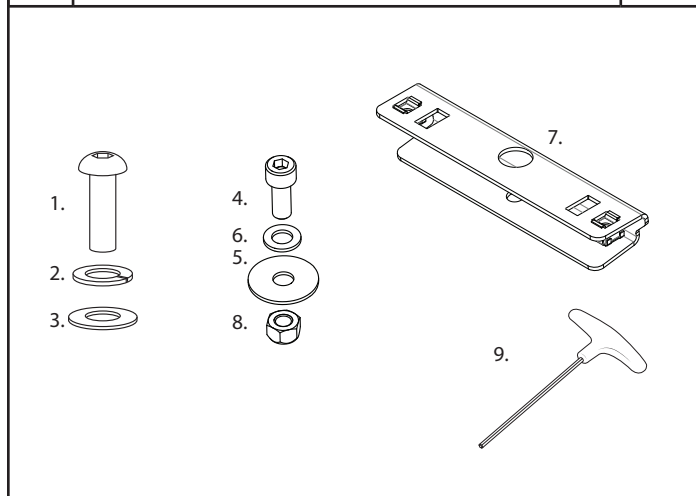
Important information

- Complete maintenance checks weekly including bolt connections and tightness.
- Heavy loads carried near feet
- Overhanging loads should conform to relevant state laws
- Check tie down strap tension every 50klm as loads can shift
- Specialised equipment carriers such as ladder slides should be used
- Ensure your roof racks, ladder rails and or load does not inhibit the tailgate lifting on vehicles manufactured with these doors
- Check car park heights before entering
- Keep load under the maximum capacity
- Use non stretch fastening straps
- Remove roof racks prior to using an automatic car wash

Note: The handling characteristics of a vehicle will change when a carrier system is fitted. Driving technique such as speed reduction, cornering techniques and braking distances should be altered to allow for these changes.

Kit Inclusions

Item	Part	3 Bar
1	M6 x 30mm Button Head Screw - F008	12
2	M6 Spring Washer - F012	12
3	M6 x 16mm Flat Washer - F011	12
4	M8 x 20mm Socket Screw - F019	6
5	M8 x 32mm Flat Washer - F020	6
6	M8 x 17mm Flat Washer - F017	6
7	Common Bracket - C093	6
8	M8 Nyloc Nut - F021	6
9	4mm Allen Tool - C028	1

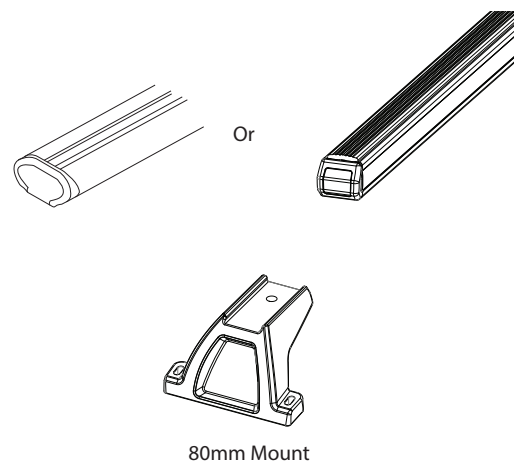


Tools Required

- 1 - 13mm Wrench.
- 2 - 4mm Allen Tool (provided).
- 3 - Butyl Mastic
- 4 - Flat Blade Screw driver.

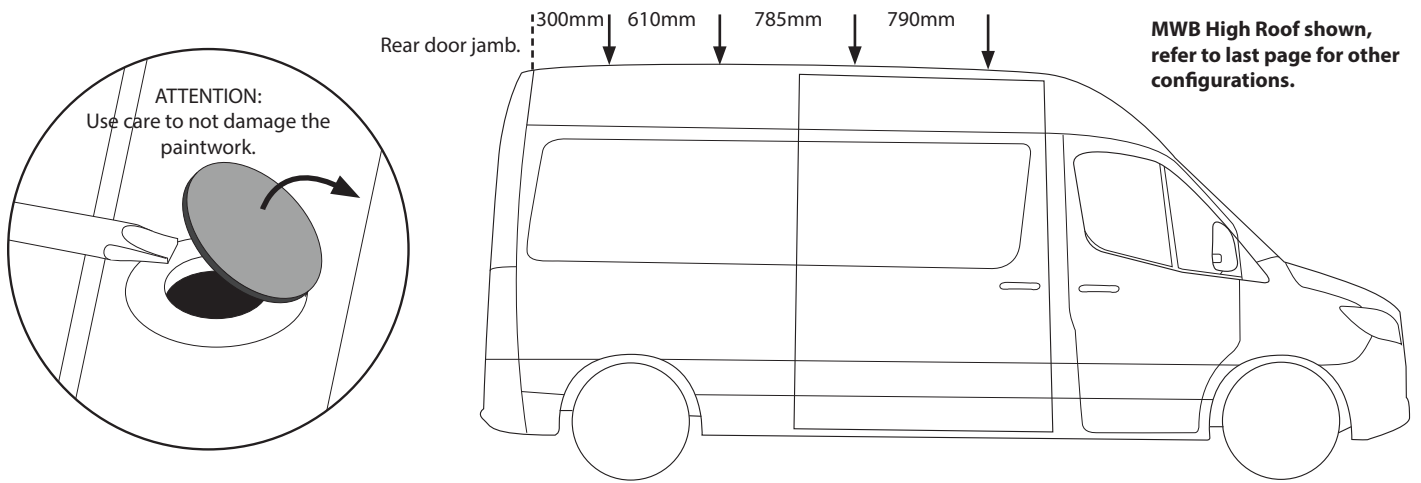
Required kits (as separate):

Crossbar x3 1650mm (hight roof)



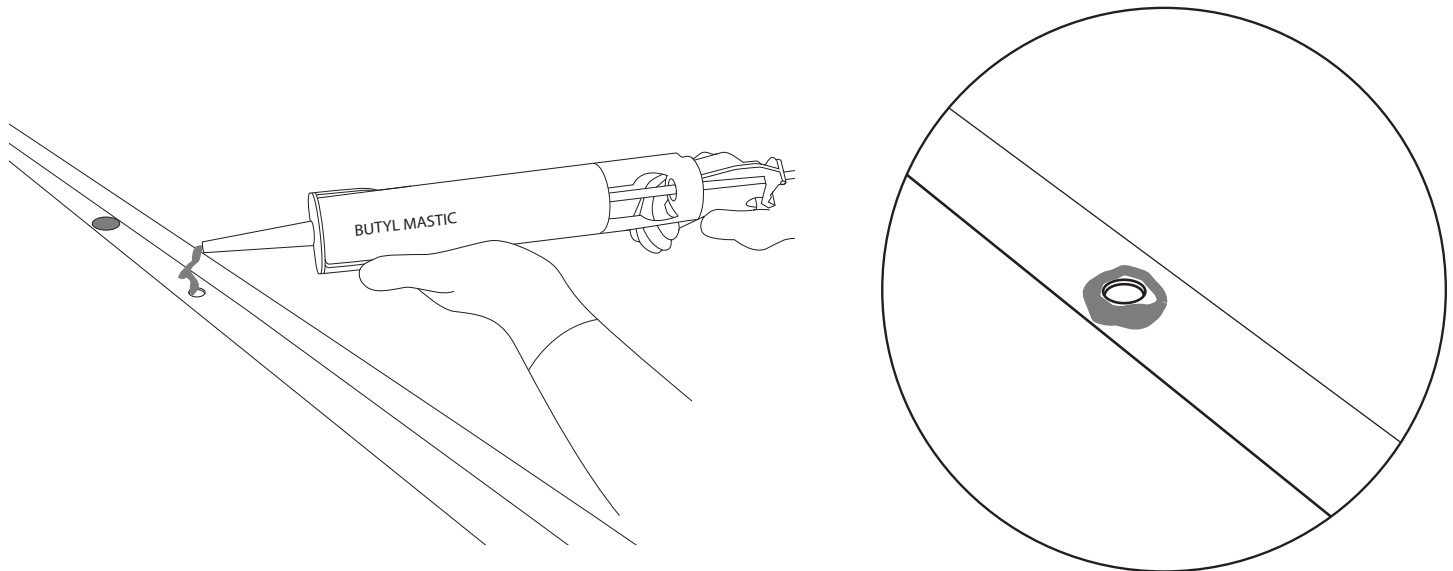
Step 1

Identify the plastic factory mounts on the roof of the vehicle.
Decide the most appropriate points to use for your needs.
Using a screwdriver remove mounts at the points shown.



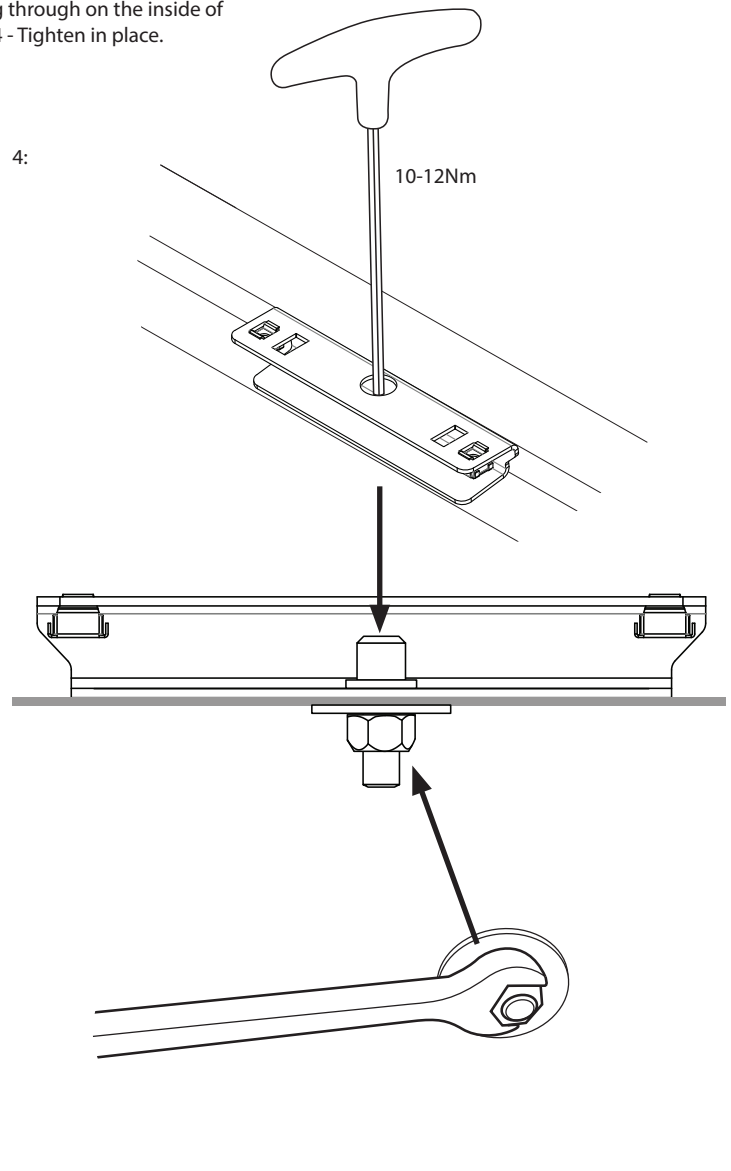
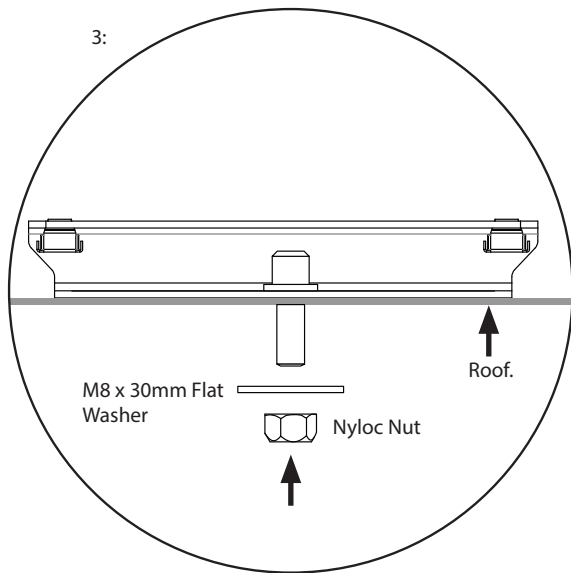
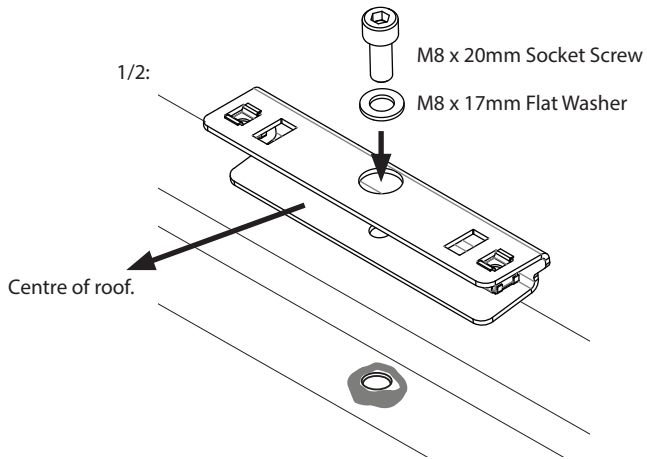
Step 2

Apply butyl mastic around the holes in the roof to ensure your roof remains water tight. A small amount inside the thread is advised.



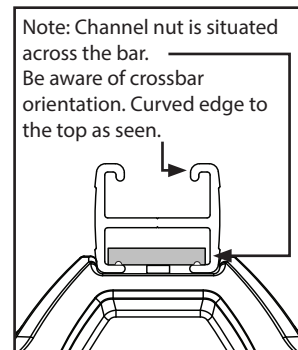
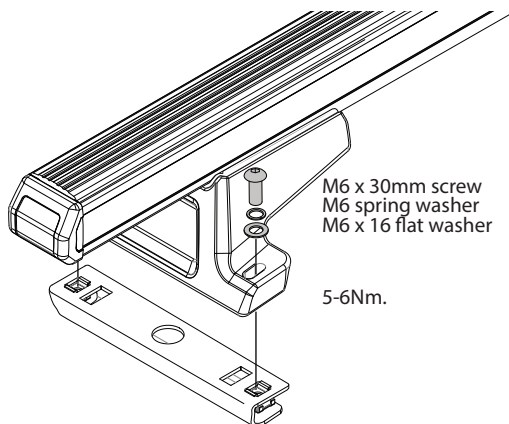
Step 3

1 - Install the M8 hardware into each bracket. 2 - Place the brackets into position onto the mounting points of your roof. 3 - Locate the thread of the M8 socket screw now pointing through on the inside of the vehicle. Place an M8 x 30mm flat washer and a Nyloc nut over the screw. 4 - Tighten in place.



Step 4

Complete crossbar mount kits as specified in their instructions. Place the crossbars onto the installed brackets in the roof. Fix in place with the M6 hardware provided and tighten with an allen key.



NOTE

ATTENTION:

Thoroughly check all fasteners are secure before driving away. Heights are for standard unloaded vehicles. Always check your specific vehicles height.

